



SC3000 Series Vision Sensor

Quick Start Guide

Legal Information

© 2023 Hangzhou Hikrobot Co., Ltd. All rights reserved.

About this Manual

The Manual includes instructions for using and managing the Product. Pictures, charts, images and all other information hereinafter are for description and explanation only. The information contained in the Manual is subject to change, without notice, due to firmware updates or other reasons. Please find the latest version of this Manual at the Hikrobot website (<https://en.hikrobotics.com>). Please use this Manual with the guidance and assistance of professionals trained in supporting the Product.

Trademarks

HIKROBOT and other Hikrobot's trademarks and logos are the properties of Hikrobot in various jurisdictions. Other trademarks and logos mentioned are the properties of their respective owners.

Disclaimer

TO THE MAXIMUM EXTENT PERMITTED BY APPLICABLE LAW, THIS MANUAL AND THE PRODUCT DESCRIBED, WITH ITS HARDWARE, SOFTWARE AND FIRMWARE, ARE PROVIDED "AS IS" AND "WITH ALL FAULTS AND ERRORS". HIKROBOT MAKES NO WARRANTIES, EXPRESS OR IMPLIED, INCLUDING WITHOUT LIMITATION, MERCHANTABILITY, SATISFACTORY QUALITY, OR FITNESS FOR A PARTICULAR PURPOSE. THE USE OF THE PRODUCT BY YOU IS AT YOUR OWN RISK. IN NO EVENT WILL HIKROBOT BE LIABLE TO YOU FOR ANY SPECIAL, CONSEQUENTIAL, INCIDENTAL, OR INDIRECT DAMAGES, INCLUDING, AMONG OTHERS, DAMAGES FOR LOSS OF BUSINESS PROFITS, BUSINESS INTERRUPTION, OR LOSS OF DATA, CORRUPTION OF SYSTEMS, OR LOSS OF DOCUMENTATION, WHETHER BASED ON BREACH OF CONTRACT, TORT (INCLUDING NEGLIGENCE), PRODUCT LIABILITY, OR OTHERWISE, IN CONNECTION WITH THE USE OF THE PRODUCT, EVEN IF HIKROBOT HAS BEEN ADVISED OF THE POSSIBILITY OF SUCH DAMAGES OR LOSS.

YOU ACKNOWLEDGE THAT THE NATURE OF INTERNET PROVIDES FOR INHERENT SECURITY RISKS, AND HIKROBOT SHALL NOT TAKE ANY RESPONSIBILITIES FOR ABNORMAL OPERATION, PRIVACY LEAKAGE OR OTHER DAMAGES RESULTING FROM CYBER-ATTACK, HACKER ATTACK, VIRUS INFECTION, OR OTHER INTERNET SECURITY RISKS; HOWEVER, HIKROBOT WILL PROVIDE TIMELY TECHNICAL SUPPORT IF REQUIRED. YOU AGREE TO USE THIS PRODUCT IN COMPLIANCE WITH ALL APPLICABLE LAWS, AND YOU ARE SOLELY RESPONSIBLE FOR ENSURING THAT YOUR USE CONFORMS TO THE APPLICABLE LAW. ESPECIALLY, YOU ARE RESPONSIBLE, FOR USING THIS PRODUCT IN A MANNER THAT DOES NOT INFRINGE ON THE RIGHTS OF THIRD PARTIES, INCLUDING WITHOUT LIMITATION, RIGHTS OF PUBLICITY, INTELLECTUAL PROPERTY RIGHTS, OR DATA PROTECTION AND OTHER PRIVACY RIGHTS. YOU SHALL NOT USE THIS PRODUCT FOR ANY PROHIBITED END-USES, INCLUDING THE DEVELOPMENT OR PRODUCTION OF WEAPONS OF MASS DESTRUCTION, THE DEVELOPMENT OR PRODUCTION OF CHEMICAL OR BIOLOGICAL WEAPONS, ANY ACTIVITIES IN THE CONTEXT RELATED TO ANY NUCLEAR

EXPLOSIVE OR UNSAFE NUCLEAR FUEL-CYCLE, OR IN SUPPORT OF HUMAN RIGHTS ABUSES.

THE PERFORMANCE DATA IN THIS PUBLICATION IS BASED ON HIKROBOT'S INTERNAL RESEARCH/EVALUATION. ACTUAL DATA MAY VARY DEPENDING ON SPECIFIC CONFIGURATIONS AND OPERATING CONDITIONS AND HIKROBOT SHALL NOT BEAR THE CONSEQUENCES ARISING THEREFROM.

IN THE EVENT OF ANY CONFLICTS BETWEEN THIS MANUAL AND THE APPLICABLE LAW, THE LATER PREVAILS.

Regulatory Information

Note

These clauses apply only to the products bearing the corresponding mark or information.

FCC Information

Please take attention that changes or modification not expressly approved by the party responsible for compliance could void the user's authority to operate the equipment.

FCC compliance: This equipment has been tested and found to comply with the limits for a Class A digital device, pursuant to part 15 of the FCC Rules. These limits are designed to provide reasonable protection against harmful interference when the equipment is operated in a commercial environment. This equipment generates, uses, and can radiate radio frequency energy and, if not installed and used in accordance with the instruction manual, may cause harmful interference to radio communications. Operation of this equipment in a residential area is likely to cause harmful interference in which case the user will be required to correct the interference at his own expense.

- Reorient or relocate the receiving antenna.
- Increase the separation between the equipment and receiver.
- Connect the equipment into an outlet on a circuit different from that to which the receiver is connected.
- Consult the dealer or an experienced radio/TV technician for help.

FCC Conditions

This device complies with part 15 of the FCC Rules. Operation is subject to the following two conditions:

1. This device may not cause harmful interference.
2. This device must accept any interference received, including interference that may cause undesired operation.

EU Conformity Statement



This product and - if applicable - the supplied accessories too are marked with "CE" and comply therefore with the applicable harmonized European standards listed under the EMC Directive 2014/30/EU, the RoHS Directive 2011/65/EU.



2012/19/EU (WEEE directive): Products marked with this symbol cannot be disposed of as unsorted municipal waste in the European Union. For proper recycling, return this product to your local supplier upon the purchase of equivalent new equipment, or dispose of it at designated collection points. For more information see: <http://www.recyclethis.info>



2006/66/EC (battery directive): This product contains a battery that cannot be disposed of as unsorted municipal waste in the European Union. See the product documentation for specific battery information. The battery is marked with this symbol, which may include lettering to indicate cadmium (Cd), lead (Pb), or mercury (Hg). For proper recycling, return the battery to your supplier or to a designated collection point. For more information see: <http://www.recyclethis.info>

Symbol Conventions

The symbols that may be found in this document are defined as follows.

Symbol	Description
NOTE	Provides additional information to emphasize or supplement important points of the main text.
WARNING	Indicates a potentially hazardous situation, which if not avoided, could result in equipment damage, data loss, performance degradation, or unexpected results.
DANGER	Indicates a hazard with a high level of risk, which if not avoided, will result in death or serious injury.

Available Model

This manual is applicable to the SC3000 Series Vision Sensor.

Safety Instruction

These instructions are intended to ensure that the user can use the product correctly to avoid danger or property loss.

Laws and Regulations

The device should be used in compliance with local laws, electrical safety regulations, and fire prevention regulations.

Power Supply

- When wiring or dismantling, make sure that the device power is cut off, and do not operate under electrification.
- Avoid contact with exposed circuit. When the device is powered on, avoid contact with exposed junctions and parts.

- DO NOT connect multiple devices to one power adapter, to avoid over-heating or fire hazards caused by overload.
- Make sure the plug is properly connected to the power socket.

Transportation

- The product contains precision optical components and electronic components. During transportation, storage and installation, incorrect operations like heavy pressure and violent vibration should be avoided. Otherwise, the product may be damaged.
- Avoid sudden collision, and pack the product with the accompanied carton and cushioning material or similar package.

Using Environment

- Do not touch the heat-radiating part of the device to avoid scalding.
- In order to reduce the risk of fire or electric shock, do not let the product get wet or damp.
- Do not drop objects onto the product and avoid vigorous vibration.
- Keep the product away from magnetic interference.
- Do not use the product in extremely heat, extremely cold, dusty environment, corrosive environment or high humidity environment.
- Do not aim the product lens at objects of strong light, such as the sun and incandescent lamp. Otherwise, the lens may be damaged.
- The product should be stored in dry environment without corrosive gas. Avoid placing the product in direct sunlight and poorly ventilated locations, or near heat sources such as heater or heating (ignoring this warning may lead to fire hazards).
- Do not operate in explosive environment.
- Keep the surrounding area well ventilated to avoid heat accumulation. Do not contact the radiator directly to avoid scald.

Electrostatic Protection

- Remove all conductive objects (such as jewelry, watch, etc.) on the product body before touching the product, and touch the grounding metal bracket by hand to release the static electricity.
- It is suggested to wear anti-static suit to prevent damage to the equipment caused by static electricity.
- When installing or maintaining the product, please wear anti-static wrist band or anti-static gloves. Make sure that the wristband is tightly attached to the skin and is reliably grounded.
- It is forbidden to touch exposed circuit boards with bare hands. Static electricity generated by human body may damage electrostatic sensitive components on circuit boards.
- When touching electrostatic sensitive components or devices, proper grounding measures must be taken.
- Put electrostatic sensitive components into anti-static bags for protection.
- It is suggested to place humidifier in dry environment to maintain suitable humidity and reduce static electricity generation.

Maintenance

- If the product is not working properly, contact the store or the nearest service center. Do not disassemble or modify the device in any way. (The company does not bear any liability for any problem arising from unauthorized modification or maintenance).
- Please properly preserve all the original packaging materials of the product so that when problems arise, the product can be packed with packaging materials and sent to the agent or returned to the manufacturer for processing. The company does not bear any liability for accidental damage during transportation caused by non-original packaging.
- This product is a precision electronic device, no components can be maintained by user, please do not disassemble the device arbitrarily.

Cleaning

Please do not touch the image sensor directly. If the sensor needs to be cleaned, please use a clean rag and wet it with alcohol, then gently wipe off the dirt; if the device is not in use, please cover the image sensor with dust cover for protection.

Installation

Please do not install the product on vibrating surface or places that are vulnerable to impact.

Personnel Requirement

Quality requirements for installation and maintenance personnel: qualification certificate or working experience in weak current system installation and maintenance, and relevant working experience and qualifications. Besides, the personnel must possess the following knowledge and operation skills:

- The basic knowledge and operation skills of low voltage wiring and Low voltage electronic circuit connection.
- The ability to comprehend the contents of this manual.

Contact Information

Hangzhou Hikrobot Co., Ltd.

E-mail: tech_support@hikrobotics.com

Website: <https://en.hikrobotics.com/>

Contents

Chapter 1 Overview	1
1.1 Introduction	1
1.2 Key Feature	1
Chapter 2 Appearance	2
Chapter 3 17-Pin Interface	4
Chapter 4 Installation	6
4.1 Installation Preparation	6
4.2 Install Device	6
Chapter 5 Device Connection	7
5.1 Install Client Software	7
5.2 Turn off Firewall	8
5.3 Set PC Network	8
5.4 Set Device Network	9
5.5 Login	10
Chapter 6 Client Layout and Operation Flow	12
6.1 Main Window Introduction	12
6.2 Operation Flow	13
Chapter 7 I/O and Serial Port Introduction	14
7.1 I/O Electrical Feature	14
7.1.1 Input Signal	14
7.1.2 Output Signal	15
7.2 I/O Wiring	18
7.2.1 Input Wiring	18
7.2.2 Output Wiring	20
7.3 RS-232 Serial Port	20
7.3.1 Introduction	21
7.3.2 Wiring	21
Chapter 8 FAQ (Frequently Asked Question)	22
8.1 Why the client software cannot list devices?	22

8.2 Why the image is not smooth in live view?22

8.3 Why the image is very dark?22

8.4 Why there is no image in live view?.....22

8.5 What can I do if I forget the login password?23

Chapter 1 Overview

1.1 Introduction

With built-in positioning and measurement algorithms, SC3000 series vision sensor can detect object's existence, position, dimension, color, etc. It can be monitored and operated via the SCMVS client. It can output results via RS-232 and Ethernet, and cooperate with other processes via IO. The vision sensor supports multiple result output methods and customized result text output. It is applicable to consumer electronics, food and medical industry, automobile, etc.

1.2 Key Feature

- Adopts embedded hardware platform for high-speed image processing.
- Adopts built-in positioning and measurement algorithms to detect object's existence, position, dimension, etc.
- Multiple IO interfaces for input and output signals.
- Multiple indicators for displaying device status.
- Adopts light source to ensure uniform brightness in the illuminated area.
- Supports multiple communication protocols, including RS-232, TCP, UDP, FTP, Profinet, ModBus, etc.

Note

- The device's functions may differ by models.
 - Refer to the user manual of the SCMVS client software for detailed device operations.
-

Chapter 2 Appearance

Note

Appearance here is for reference only. Refer to the device's specification for detailed dimension information.

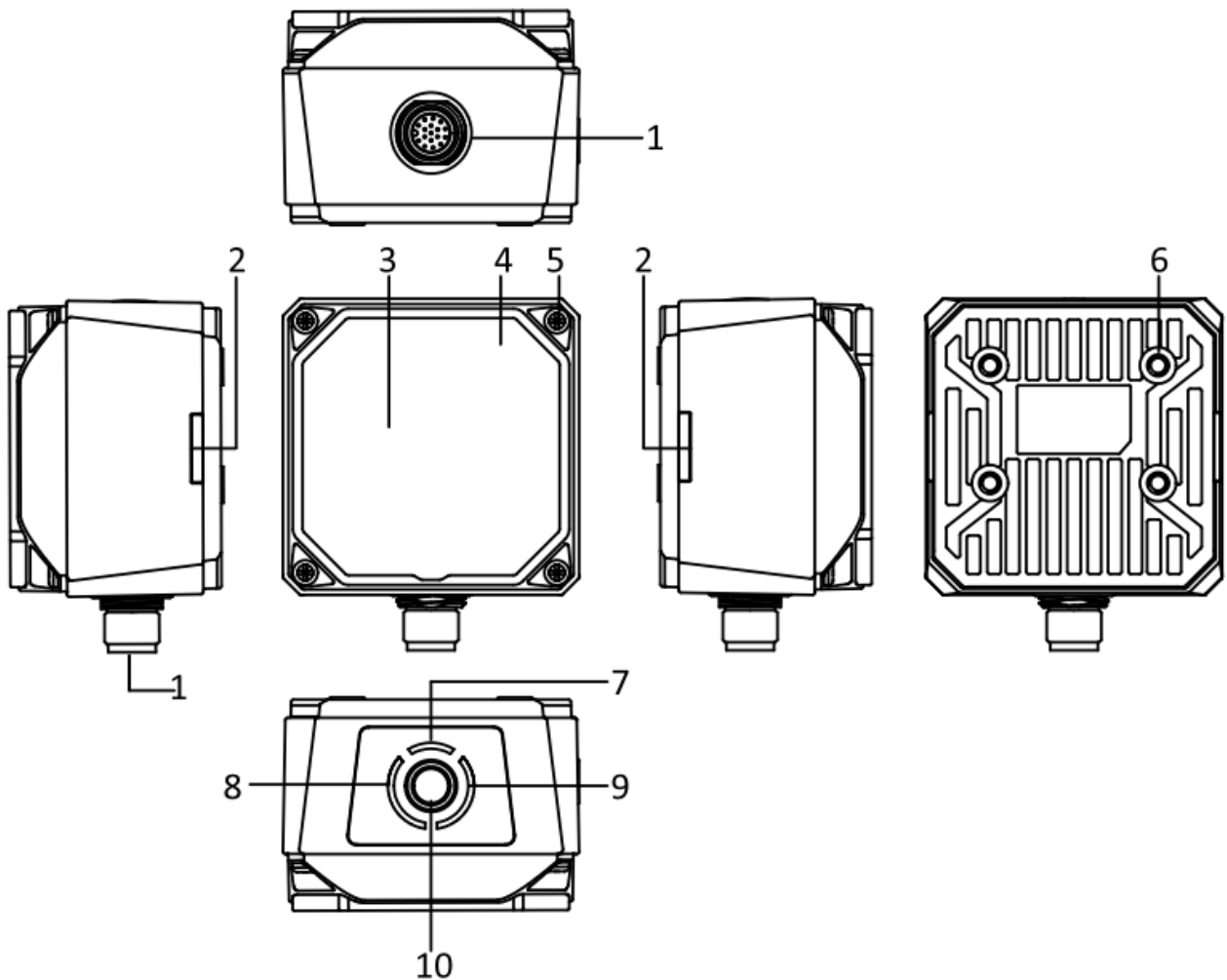



Figure 2-1 Appearance

Table 2-1 Appearance Description

No.	Name	Description
1	17-Pin Interface	It provides power, input/output, Ethernet, and serial port signal. The interface is designed with screw threads to tighten connection between the device and cable, and thus avoiding influence caused by vibration.

SC3000 Series Vision Sensor Quick Start Guide

No.	Name	Description
2	OK/NG Indicator	<p>It indicates the result of projects.</p> <ul style="list-style-type: none"> ● The indicators are green when the project result is OK. ● The indicators are red when the project result is NG. ● The indicators are green and red when switching projects. After switching, the indicators are unlit. ● The indicators are yellow when the device restarts or error occurs.
3	Lens Cap	It can be replaced with other lens cap. Refer to the device's specification for details.
4	Light Source	<p>It refers to LED lamps providing light source.</p> <p> Note The default color of LED lamps is white. Red/blue/near-infrared is optional.</p>
5	Screw	It refers to the screw between device body and lens cap.
6	Screw Hole	It is used to fix the device to the installation position. You should use M4 screw.
7	PWR Indicator	It is the power indicator. The indicator is green when the device operates normally. Otherwise, it is red.
8	STS Indicator	It is the status indicator. The indicator is green when the project operates normally. Otherwise, it is red.
9	LNK Indicator	It is network status indicator. The indicator is flashing green when the network transmission is normal. Otherwise, it is unlit.
10	Button	It is used to trigger device to acquire images or switch projects.

Chapter 3 17-Pin Interface

Read the following section to get definitions of 17-pin interface.

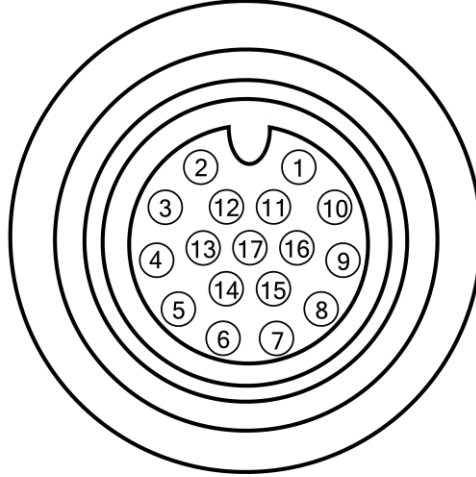


Figure 3-1 17-Pin Interface

Table 3-1 Pin Definitions

No.	Signal	I/O Signal Source	Description	Cable Color
1	POWER_IN	--	Direct current power supply positive	Red
2	I/O_1	Line 3 signal line	Can be configured as input or output	Brown
3	DO_2	Line 7 signal line	Opto-isolated output	Purple/white
4	RS232TX	--	RS232 serial port output	Green
5	RS232RX	--	RS232 serial port input	Green/white
6	MDI0+	--	Fast Ethernet signal MDI0+	Yellow
7	MDI1-	--	Fast Ethernet signal MDI1-	Orange/white
8	DO_0	Line 5 signal line	Opto-isolated output	Blue/white
9	I/O_0	Line 2 signal line	Can be configured as input or output	Blue
10	DO_1	Line 6 signal line	Opto-isolated output	Brown/white

SC3000 Series Vision Sensor Quick Start Guide

No.	Signal	I/O Signal Source	Description	Cable Color
11	GND	Signal ground	Direct current power supply negative	Black
12	IN_COM	Line 2/3/4 input signal ground	Input signal ground	Pink
13	I/O_2	Line 4 signal line	Can be configured as input or output	Purple
14	MDI0-	--	Fast Ethernet signal MDI0-	Yellow/white
15	MDI1+	--	Fast Ethernet signal MDI1+	Orange
16	DI_0	Line 0 signal line	Opto-isolated input	Gray
17	DI_1	Line 1 signal line	Opto-isolated input	White

Note

- You should refer to the table above and the label attached to the power and I/O cable to wire the device.
 - It is recommended to use the supplied 17-pin cable. The 6th, 7th, 14th, and 15th pin have been made as RJ45 connector. The lines of other pins should be wired according to the actual demands.
-

Chapter 4 Installation

4.1 Installation Preparation

You need to prepare following accessories before installation.

Table 4-1 Accessories

No.	Name	Quantity	Description
1	17-Pin Cable	1	It refers to the supplied 17-pin cable that is included in the package.
2	Power Adapter or Switch Power Supply	1	You should select suitable power adapter or switch power supply according to the device power supply and consumption. You need to purchase separately.
3	Network Cable	1	It refers to the category 5 cable (Cat 5) or above. You need to purchase separately.
4	Lens Cap	1	It refers to the supplied lens cap. You can also use polarization or infrared filter lens cap that needs to be purchased separately.
5	Light Source	1	It refers to the supplied white light source. You can also use red/blue/near-infrared light source that needs to be purchased separately.
6	M4 Screw	4	It refers to the supplied M4 screw that is used to fix the device to the installation position.
7	Mounting Panel	1	It is used to install the device to the installation position.

4.2 Install Device

Before You Start

Make sure the device in the package is in good condition and all the assembly parts are included, and make sure that all the related devices are powered off during the installation.

Steps

1. Use M4 screws to fix the device to the installation position.
2. Connect the device to a power adapter or switch power supply via 17-pin cable.
3. Connect the device to a switch or NIC via network cable.

Chapter 5 Device Connection

Device connection to the client software is required for device's configuration and remote operations. This section introduces how to install the client software, set PC and device network, connect the device to the client software, etc.

5.1 Install Client Software

SCMVS is a client software for device configuration and remote operations.

Note

- Check the Windows version. The client software is compatible with 32/64-bit Windows XP/7/10.
 - You can get the client software installation package from <https://en.hikrobotics.com/>.
 - The graphic user interface may differ by different versions of client software you use.
-

Steps

1. Double click the installation package to install the client software.
2. Select the language.
3. Read and check **Terms of the License Agreement**.
4. Click **Start Setup**.

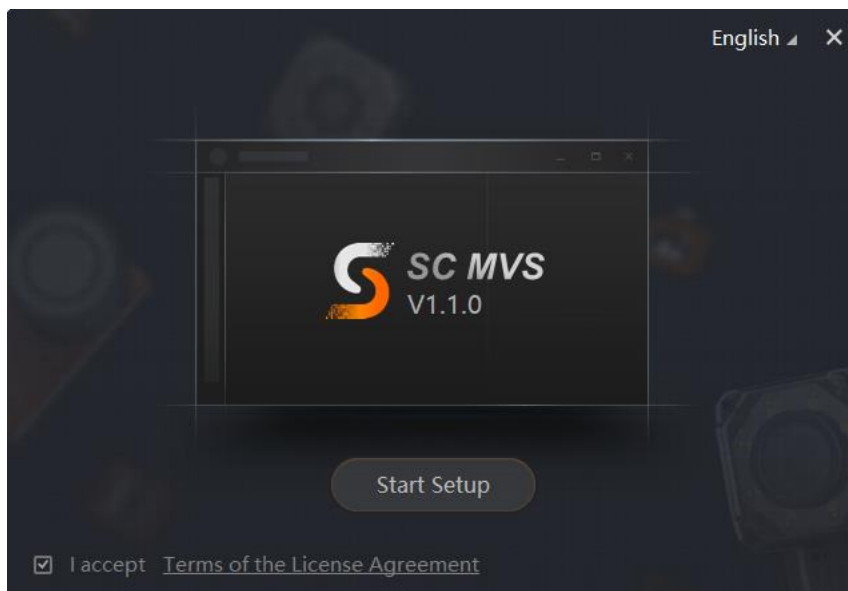


Figure 5-1 Installation Interface

5. Select installation directory and click **Next**.
6. Finish the installation according to the interface prompts.

5.2 Turn off Firewall

To ensure stable client running and image transmission, you are recommended turning off Windows firewall before using the client software.

Steps

Note

For different Windows versions, the path name or interface may differ. Please refer to the actual condition.

1. Go to Windows Firewall.

Windows XP system: Click **Start** → **Control Panel** → **Security Center** → **Windows Firewall**.

Windows 7 system: Click **Start** → **Control Panel** → **Windows Firewall**.

Windows 10 system: Click **Start** → **Control Panel** → **System and Security** → **Windows Defender Firewall**.

2. Click **Turn Windows Defender Firewall on or off** on the left.

3. Select **Turn off Windows Defender Firewall (not recommended)**.

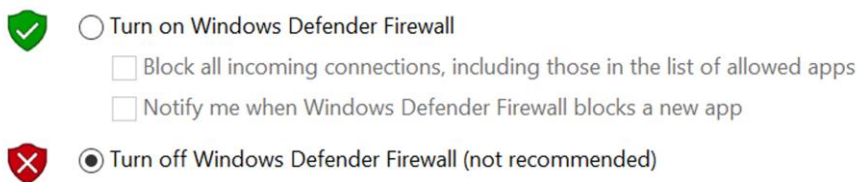


Figure 5-2 Windows Defender Firewall

4. Click **OK**.

5.3 Set PC Network

To ensure stable image transmission and normal communication between the PC and the device via client software, you need to set the PC network before using the client software.

Steps

Note

For different Windows versions, the specific setting path and interface may differ. Please refer to the actual condition.

Steps

1. Go to PC network settings page: **Start** → **Control Panel** → **Network and Internet** → **Network and Sharing Center** → **Change adapter settings**.

2. Select NIC and set the IP obtainment mode.

- Select **Obtain an IP address automatically** to get an IP address of the PC automatically.
- Or select **Use the following IP address** to set an IP address for the PC manually.

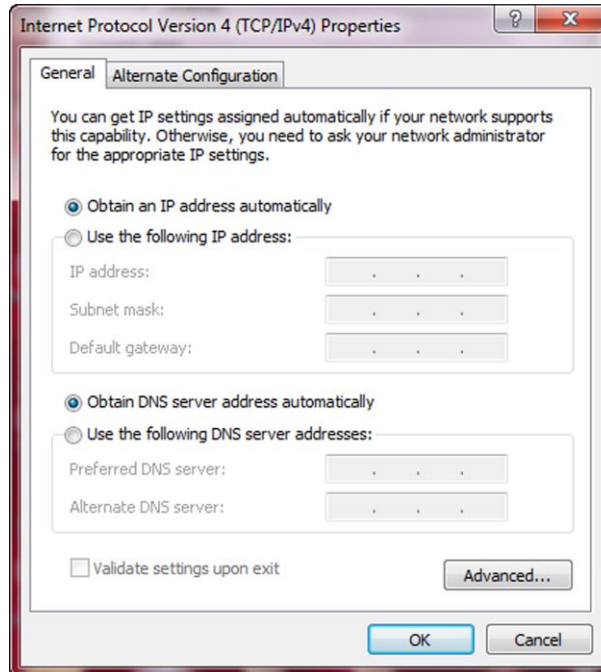


Figure 5-3 Set PC Network


3. Set NIC property.

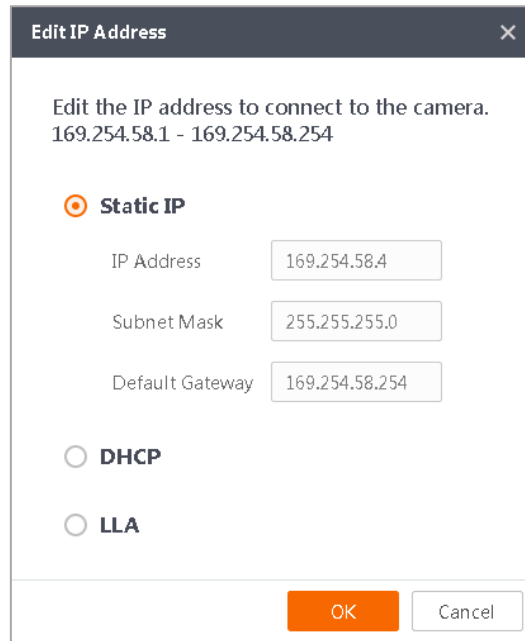
- 1) Go to NIC settings page: **Control Panel** → **Hardware and Sound** → **Device Manager** → **Network Adapter**.
- 2) Select corresponding network interface card, and click **Link Speed**.
- 3) Set **Speed and Duplex** as **Auto-Negotiation** or **100 Mbps**.

5.4 Set Device Network

You can set and operate the device in the client software only when the device is in the same network segment with the PC where the client software is installed.

Steps

1. Double click the client software to run it.
2. Click  in the device list to find the device.
3. Right click the device to be connected.
4. Click **Edit IP Address**.
5. Set the IP address of the device in the same network segment with the PC.



Edit IP Address

Edit the IP address to connect to the camera.
169.254.58.1 - 169.254.58.254

Static IP

IP Address

Subnet Mask

Default Gateway

DHCP

LLA

Figure 5-4 Edit IP Address

6. Click **OK**.

5.5 Login

Note

- Make sure that your device IP address is in the same network segment with the PC where you installed the client software before connecting the device to it.
 - The default login password is Abc1234, and it is highly recommended to change the password for the first time use.
 - Follow the guidance to find the password if you forget it.
 - Refer to the user manual of the SCMVS client software for detailed operation.
-

Steps


1. Click the device in the device list.
2. Enter password.
3. Click  to log in.



Figure 5-5 Login Interface

4. (Optional) Check **Remember me** to remember the password if necessary.

Chapter 6 Client Layout and Operation Flow

6.1 Main Window Introduction

After logging into the client software, you can see the main window as shown below.

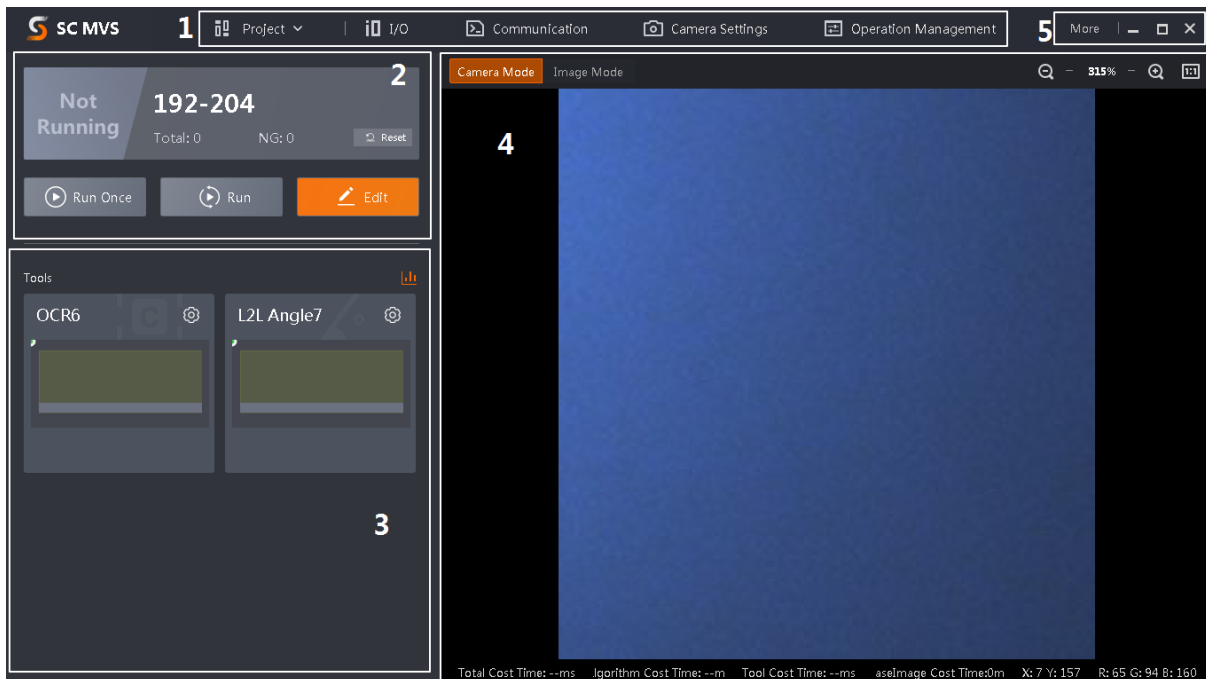


Figure 6-1 Main Window

Note

- The specific interfaces of the client software may differ by its versions.
- The client software loads and runs previous projects after logging in. If there is no project, the client software will create and run a new project.

Table 6-1 Main Window Description

No.	Name	Description
1	Menu Bar	The menu bar includes project, I/O settings, communication settings, camera settings, and operation management.
2	Project Status Display Area	This area displays operation results of current projects in real time. You can run, stop or edit projects here.
3	Tool Status Display Area	This area displays operation results of vision tools loaded in projects in real time. You can edit various parameters of tools here.

No.	Name	Description
4	Live View Window	This area displays images and results under camera mode and image mode in real time. Under image mode, you can import images into the device.
5	Other Areas	You can switch languages and cameras, view the user manual and client version information here.

6.2 Operation Flow

Note

- Refer to the user manual of the SCMVS client software for detailed parameter settings and operations.
- Click **More** on the upper right corner of the client software, and click **User Manual** to open it.

You can follow the overall operation flow below to operate the device via the client software.

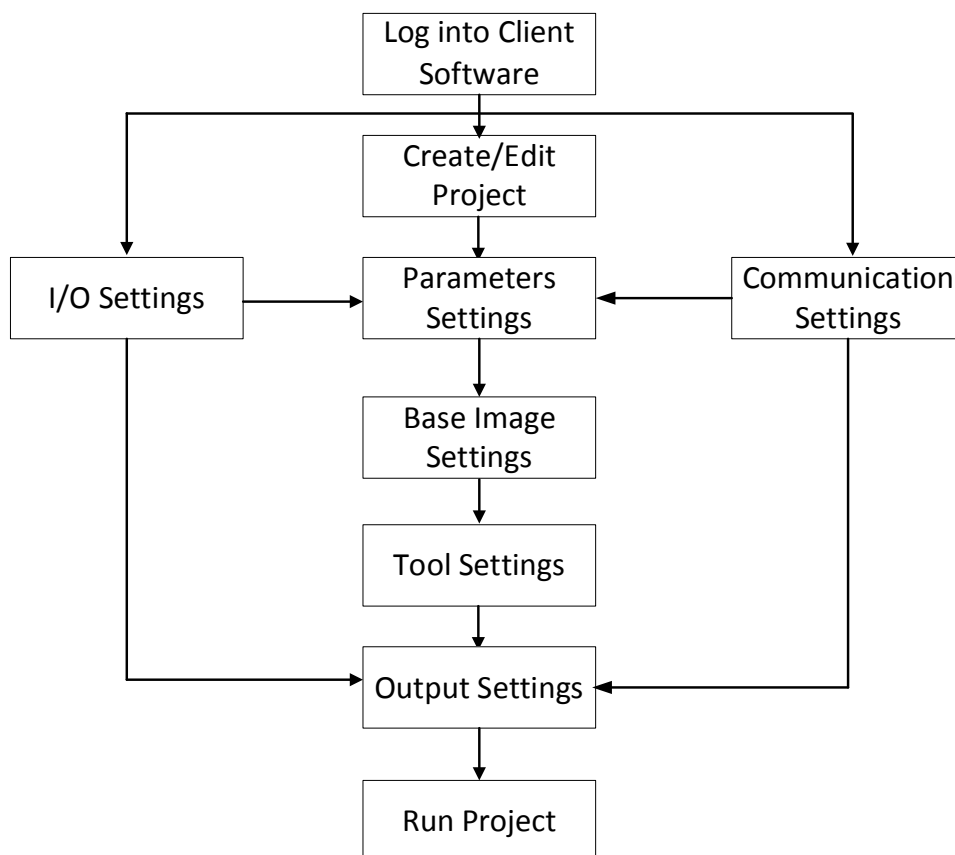


Figure 6-2 Operation Flow

Chapter 7 I/O and Serial Port Introduction

This section introduces the electrical feature and wirings of the device's I/O and RS-232 serial port. The device has two input signals (Line 0/1), three output signals (Line 5/6/7), and three bi-directional I/O (Line 2/3/4) signals.

Note

The two input signals and three bi-directional I/O signals can also be used as signal sources to switch the device's projects. Refer to the user manual of the SCMVS client software for details.

7.1 I/O Electrical Feature

7.1.1 Input Signal

The device's Line 0/1 are input signals, and Line 2/3/4 are bi-directional I/O signals that can be set as input. The internal circuit of input signal is shown below.

Note

The maximum input current of input signal is 25 mA.

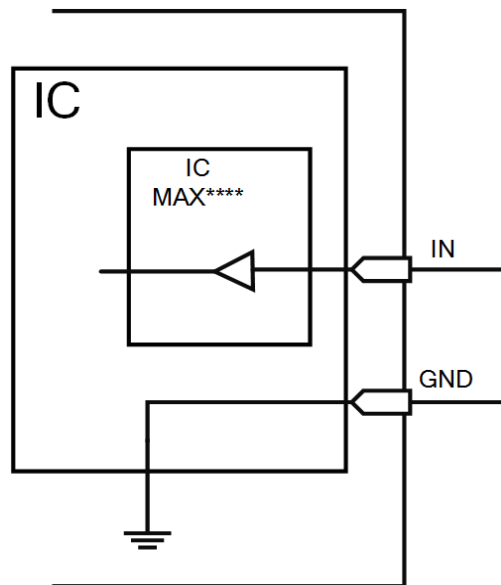


Figure 7-1 Internal Circuit of Input Signal

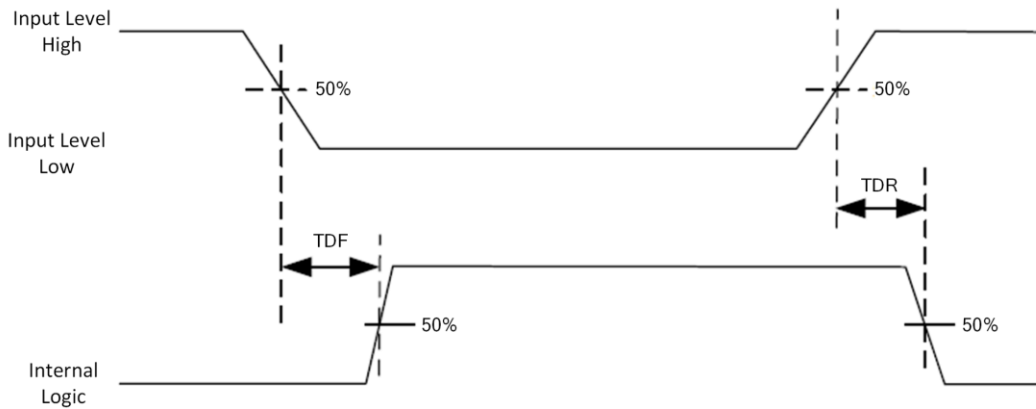


Figure 7-2 Input Logic Level

Table 7-1 Input Electrical Feature

Parameter Name	Parameter Symbol	Value
Input Logic Level Low	VL	0 VDC to 9 VDC (VCC=24 VDC) 0 VDC to 5.4 VDC (VCC=12 VDC)
Input Logic Level High	VH	11 VDC to 24 VDC (VCC=24 VDC) 7.56 VDC to 12 VDC (VCC=12 VDC)
Input Falling Delay	TDF	1.3 μ s to 3.5 μ s
Input Rising Delay	TDR	1.3 μ s to 3.5 μ s

Note

- VCC is the device's input voltage.
- The breakdown voltage is 36 VDC, and keep voltage stable.

7.1.2 Output Signal

The device's Line 5/6/7 are output signals, and Line 2/3/4 are bi-directional I/O signals that can be set as output. You can go to I/O settings of the client software to set I/O output type as PNP or NPN according to actual demands, as shown below.

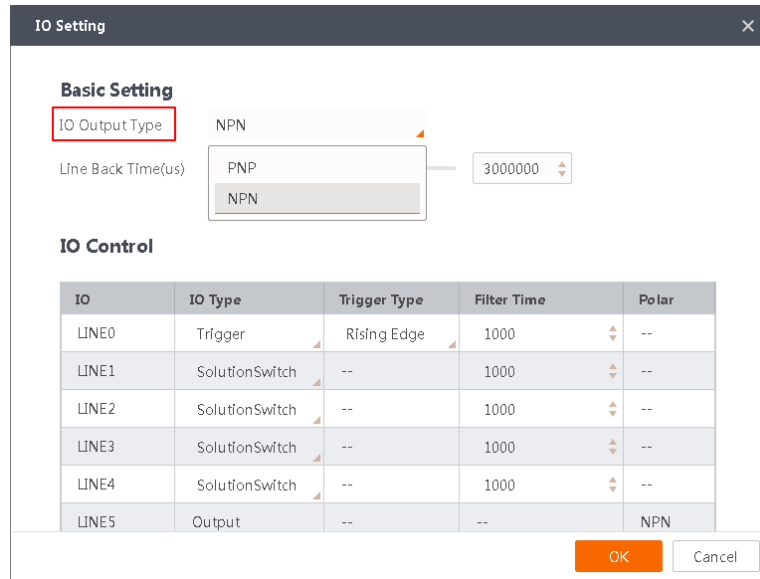


Figure 7-3 Set I/O Output Type

Note

The maximum output current of output signal is 200 mA.

If the output signal is PNP type, its internal circuit is shown below.

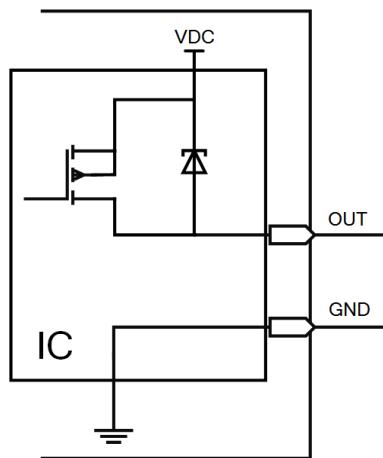


Figure 7-4 Internal Circuit of PNP Output Signal

If the output signal is NPN type, its internal circuit is shown below.

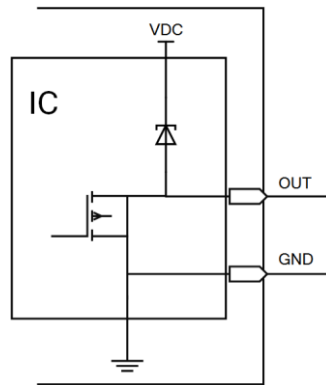


Figure 7-5 Internal Circuit of NPN Output Signal

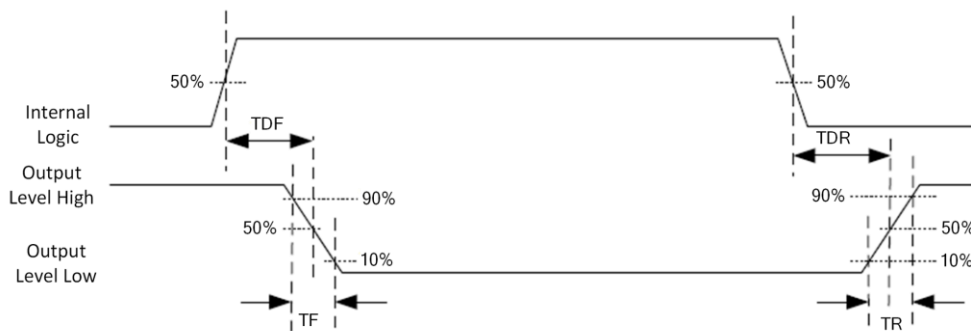


Figure 7-6 Output Logic Level

When the external voltage and resistance is 12 VDC and 1 K Ω respectively, the electrical feature of output signal is as follows.

Note

With different external voltage and resistance, the corresponding current and output logic level low may have small change.

Table 7-2 Output Electrical Feature

Parameter Name	Parameter Symbol	Value
Output Logic Level Low	VL	212 mV
Output Logic Level High	VH	11.8 VDC
Output Falling Delay	TDF	0.4 μ s
Output Rising Delay	TDR	0.4 μ s
Output Falling Time	TF	0.4 μ s
Output Rising Time	TR	0.4 μ s

7.2 I/O Wiring

The device can receive input signals from external devices and output signals to external devices. This section introduces how to wire the device's I/O.

Note

- Here we take Line 2 as an example to introduce I/O wiring.
- The device figures below are for reference only, and the actual one you got should prevail.

7.2.1 Input Wiring

Two types of input wiring are available, and you can wire the device according to actual demands.

Note

- Input signal wiring may differ by external device types.
- It is recommended to use the first type of input wiring because this type is applicable to all I/O input signals, including Line 0/1/2/3/4.
- The second type of input wiring is only applicable to Line 2/3/4.

First Type of Input Wiring

PNP Device

If you have available external resistors, you should use 1 K Ω pull-down resistor to wire the device as shown below.

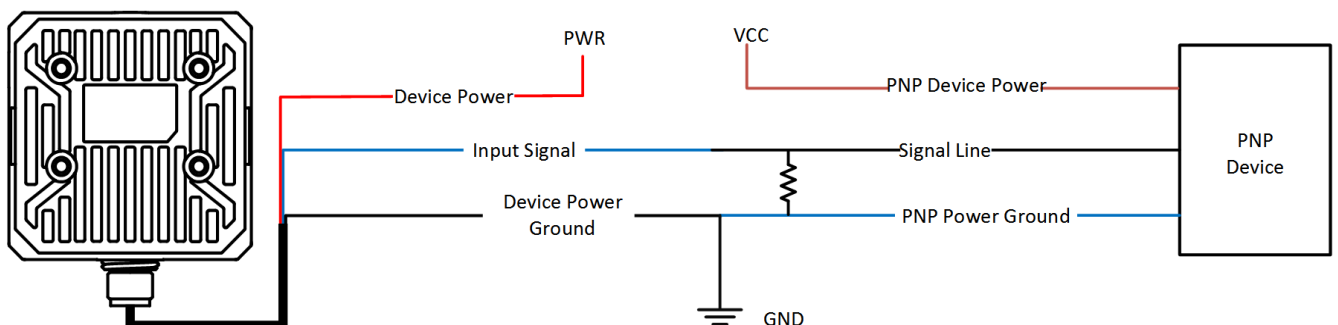


Figure 7-7 Input Signal Connects to PNP Device

NPN Device

If you have available external resistors, and the VCC is 12 VDC or 24 VDC, you should use 1 K Ω pull-up resistor to wire the device as shown below.

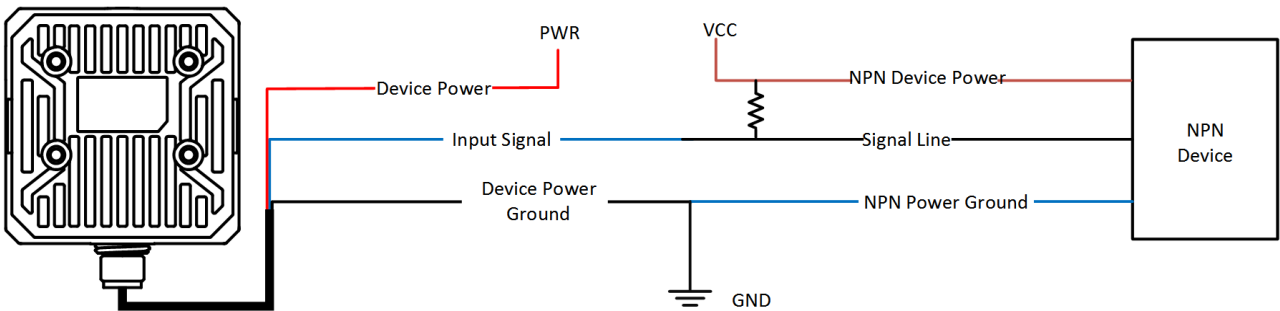


Figure 7-8 Input Signal Connects to NPN Device

Switch

It is recommended to use 1 K Ω pull-down resistor.

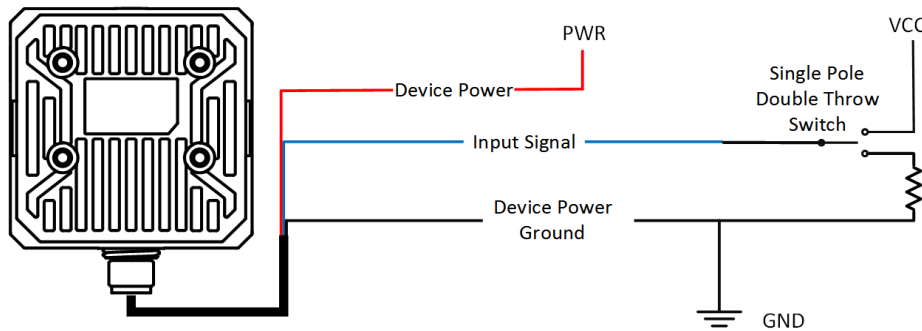


Figure 7-9 Input Signal Connects to a Switch

Second Type of Input Wiring

PNP Device

If you do not have available external resistors, you can wire the device as shown below.

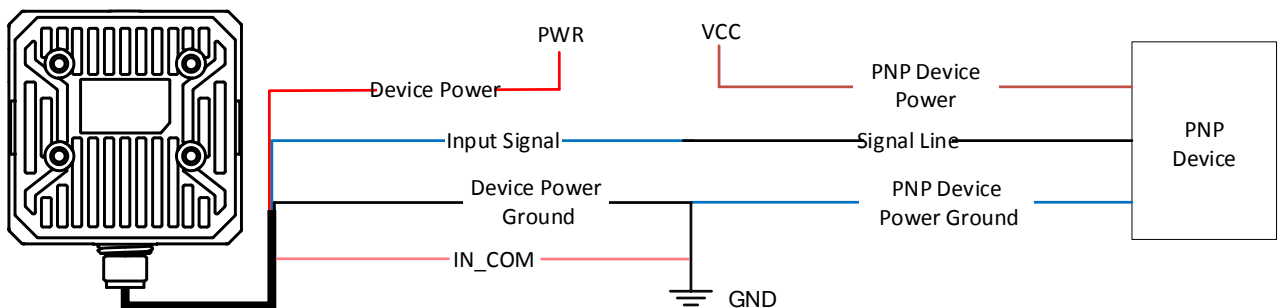


Figure 7-10 Configurable Input Signal Connects to PNP Device

NPN Device

If you do not have available external resistors, you can wire the device as shown below.

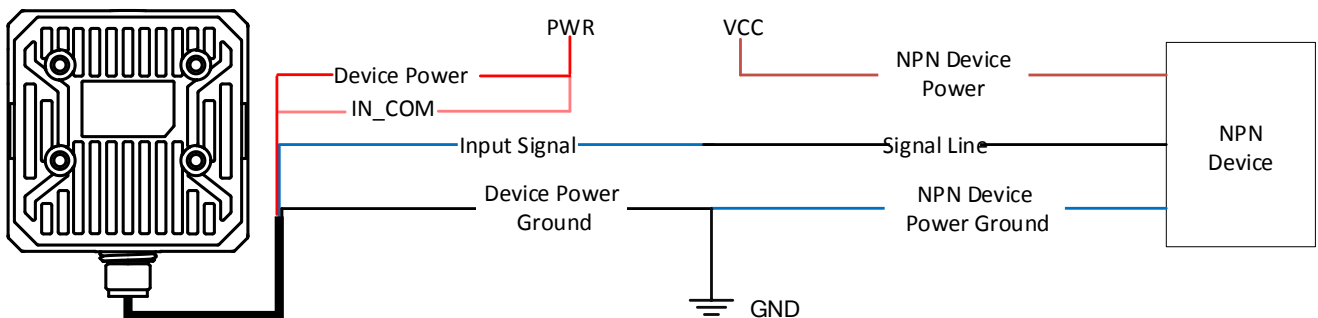


Figure 7-11 Configurable Input Signal Connects to NPN Device

7.2.2 Output Wiring

Note

- You can set I/O output type as PNP or NPN via the client software.
- If the external device is PNP, you should set the device's output signal polarity as NPN.
- If the external device is NPN, you should set the device's output signal polarity as PNP.

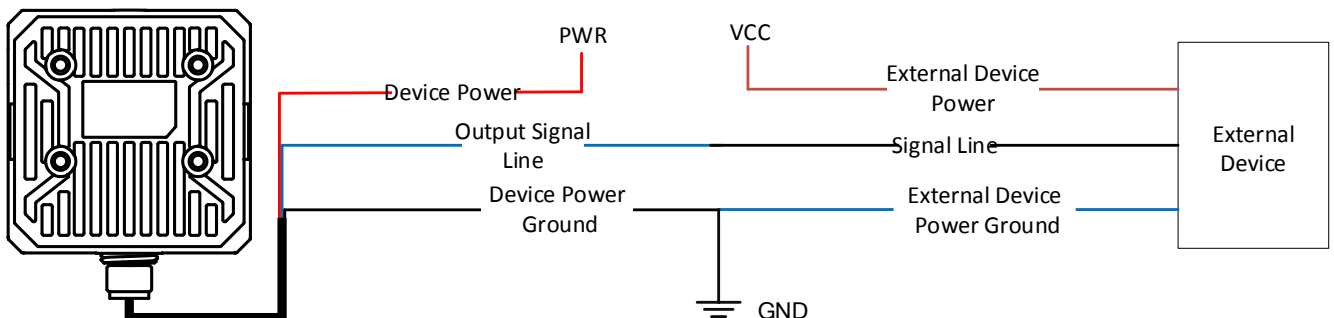


Figure 7-12 Output Wiring

Note

When the device's output signal is set as NPN, the voltage of VCC should not higher than that of PWR. Otherwise, the device's output signal may have exception.

7.3 RS-232 Serial Port

The device can output data via the RS-232 serial port. You can go to the communication

settings of the client software to set related parameters.

7.3.1 Introduction

The 9-pin male connector and 25-pin male connector are commonly used serial ports, as shown below. You can refer to the table below for the specific pin name and function.

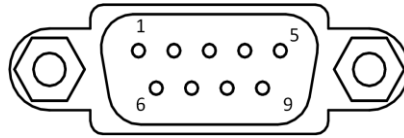


Figure 7-13 9-Pin Male Connector

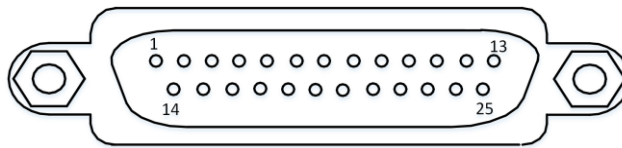


Figure 7-14 25-Pin Male Connector

Table 7-3 RS-232 Pin Description

Serial Port Type	Pin No.	Name	Function
9-Pin Interface	2	RX	Receive data
	3	TX	Send data
	5	GND	Signal ground
25-Pin Interface	2	TX	Send data
	3	RX	Receive data
	7	GND	Signal ground

7.3.2 Wiring

You can refer to the serial port wiring below to connect the device with an external device.

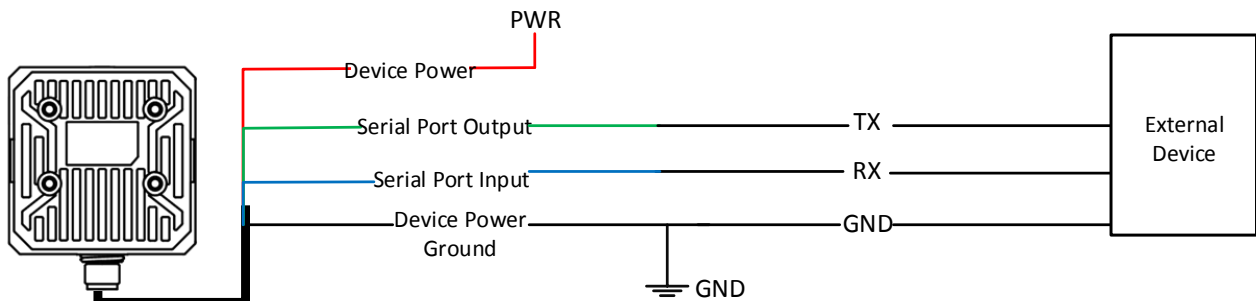


Figure 7-15 RS-232 Serial Port Wiring

Chapter 8 FAQ (Frequently Asked Question)

8.1 Why the client software cannot list devices?

Reason

- Device is not started up normally.
- Network connection exception occurs.

Solution

- Check device power wiring (observe PWR indicator).
- Check network connection (observe LNK indicator). Ensure the device and the PC are in the same network segment.

8.2 Why the image is not smooth in live view?

Reason

The network transmission speed is not up to 100 Mbps.

Solution

Check if the network transmission speed is up to 100 Mbps.

8.3 Why the image is very dark?

Reason

- The brightness of light source is not enough.
- Exposure and gain values are too small.

Solution

- Increase the brightness of light source, or use brighter lamps.
- Increase exposure and gain values according to actual demands.

8.4 Why there is no image in live view?

Reason

- Although trigger mode is enabled, there is no trigger signal.

- The network transmission speed is not up to 100 Mbps.

Solution

- Send trigger signal to device, or disable trigger mode.
- Check if the network transmission speed is up to 100 Mbps.

8.5 What can I do if I forget the login password?

Solution

Click **Forgot Password** in the login interface to view the device serial No., and mail it to the technical support personnel or call them to get the corresponding resetting file. After that, import the resetting file and reset the password as the default one.



See Far, Go Further