



Part No.	IX2210
Product Name	Wi-Fi antenna monopole 3cm
Feature	2.4 GHz Wi-Fi Peak Gain Max 2.24 dBi RP-SMA Male Connector IP65 compliant RoHS & Reach compliant

Electrical

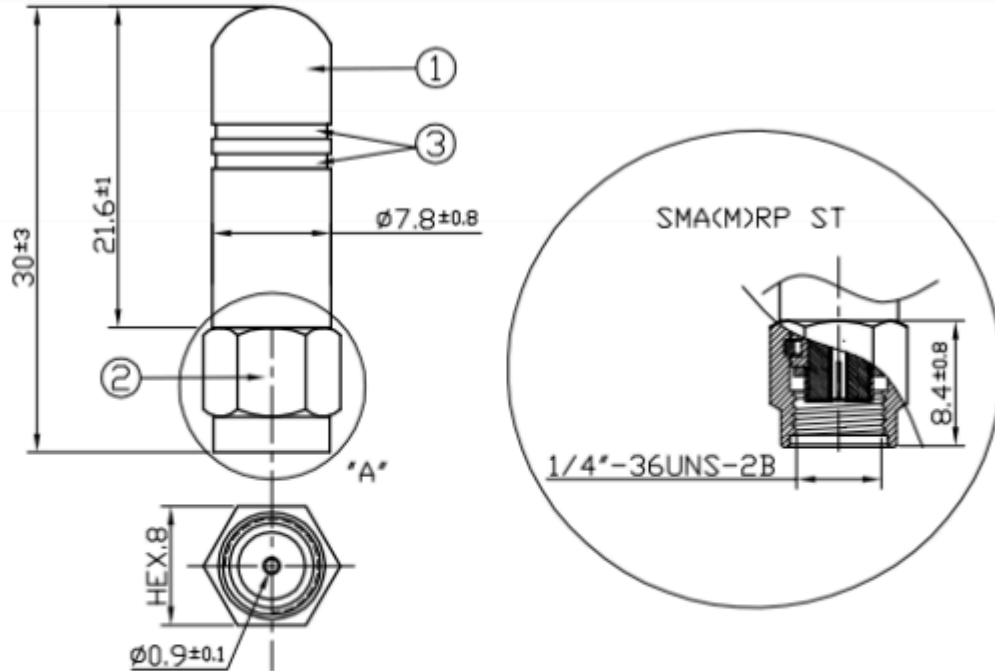
Band	Wi-Fi 2.4 GHz
Frequency (MHz)	2400-2500
Efficiency*	48.7%
Average Gain (dBi)*	-3.12
Peak Gain (dBi)*	2.24
Impedance	50 Ω
Polarization	Linear
Radiation Pattern	Omni-directional
Power Consumption	10 W

*in free space

Environmental

Operating Temperature	-40°C to 85°C
Storage Temperature	-40°C to 85°C

Mechanical drawing (unit:mm)



	Name	Material	Finish	QTY
①	Antenna Housing	TPEE	Black	1
②	SMA(M)RP ST	Brass	Gold	1
③	Colour Stripes	Acrylic Paint	Green	1

IXON makes no warranties based on the accuracy or completeness of the contents of this document and reserves the right to make changes to specifications and product descriptions at any time without notice. IXON reserves all rights to this document and the information contained herein. Reproduction, use or disclosure to third parties without express permission is strictly prohibited. Copyright © IXON B.V.