

MVL-MF0824M-5MPE 2/3" 8mm 5MP FA LENS

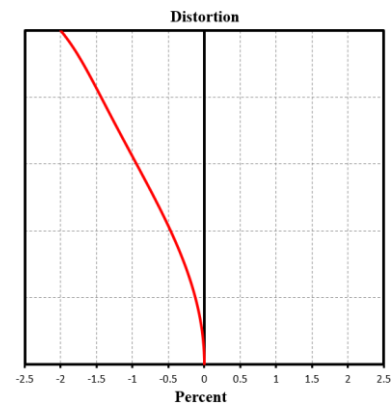
MF-E series FA Lens are optimized for machine vision light sources and sensors, with high resolution, excellent image uniformity, high transmittance and good stability. Featured with fixed focal length, manual aperture and compact size, it is suitable for machine vision industry applications.



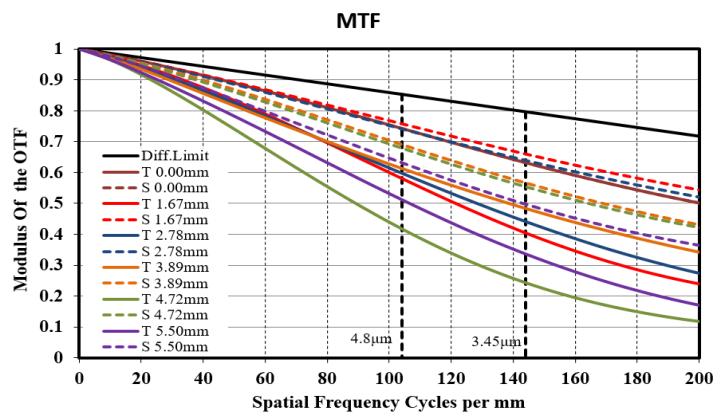
Key Feature

- High resolution and consistency of image clarity
- Lower distortion and higher relative illumination rate
- Achromatic optical system design and better imaging performance with color camera
- Excellent performance at high and low temperature
- Good optical performance at ultra-short working distance

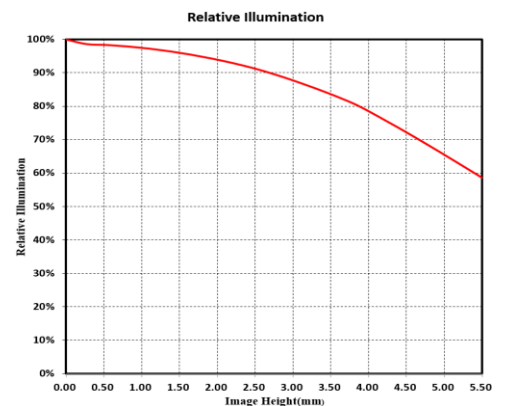
Distortion



MTF



Relative Illumination



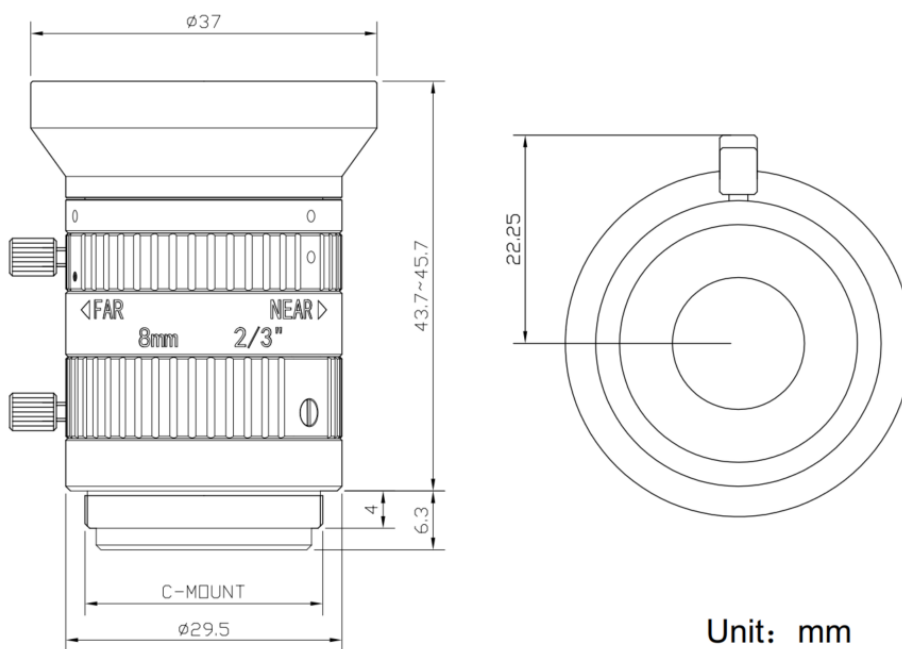
Note: The above curves are the simulate results based on F2.4, $\beta=-0.025$, WD=300 mm



Specification

Model	MVL-MF0824M-5MPE
Performance	
Focal length	8 mm
F-number	F2.4 to F16
Image size	Φ11 mm (2/3")
Distortion	2.03%
Min. object distance	0.1 m
Field of view	D (11.1 mm): 69.46° H (8.45 mm): 55.57° V (7.07 mm): 41.68°
Mechanical	
Iris control	Manual
Focus control	Manual
Filter thread	M35.5 × 0.5
Mount	C-Mount
Flange back length	17.526 mm
Dimension	Φ37 × 43.7 mm to 45.7 mm
Weight	87.3 g
Temperature	-10 °C to 50 °C (14 °F to 122 °F)
General	
Certification	RoHS 2.0

Dimension



Unit: mm

Field of View

Extension (mm)	Working Distance (mm)		Magnification	Field of View (mm)					
				2/3"		1/1.8"		1/2"	
				H (8.45mm)	V (7.07mm)	H (7.38mm)	V (4.92mm)	H (6.22mm)	V (4.67mm)
2	Near	8.3	-0.278	29.0	23.8	24.8	16.1	20.5	15.1
	Far	19.2	-0.206	39.2	32.4	33.1	21.6	27.2	20.2
1	Near	25.4	-0.172	47.8	39.5	40.9	26.8	33.9	25.2
	Far	58.8	-0.102	81.1	67.3	67.6	44.5	55.5	41.4
0		100	-0.064	129.9	108.1	112.9	74.6	94.8	70.8
		150	-0.046	183.0	152.4	159.1	105.3	133.7	99.9
		200	-0.036	235.9	196.6	205.3	135.9	172.5	129.0
		250	-0.029	288.8	240.8	251.4	166.6	211.4	158.1
		300	-0.025	341.8	285.1	297.6	197.3	250.2	187.2
		350	-0.021	394.7	329.3	343.8	227.9	289.1	216.3
		400	-0.019	447.7	373.5	390.0	258.6	328.0	245.4
		450	-0.017	500.6	417.8	436.2	289.3	366.8	274.5
		500	-0.015	553.6	462.0	482.3	319.9	405.7	303.6
		550	-0.014	606.6	506.2	528.5	350.6	444.6	332.7
		600	-0.013	659.5	550.5	574.7	381.3	483.4	361.8
		650	-0.012	712.5	594.7	620.9	411.9	522.3	390.9
		700	-0.011	765.4	638.9	667.1	442.6	561.2	420.0
		800	-0.010	871.3	727.4	759.4	503.9	638.9	478.2
	900	-0.009	977.3	815.9	851.8	565.3	716.6	536.4	
	1000	-0.008	1083.2	904.4	944.5	626.8	794.1	594.5	

HIKROBOT

Hangzhou Hikrobot Co. Ltd.
en.hikrobotics.com

© Hangzhou Hikrobot Co., Ltd. All Rights Reserved.

Hangzhou Hikrobot does not tolerate any infringement. Any organization or individual may not imitate or reproduce in whole or in part of the content. The data herein is based on Hikrobot's internal evaluation. Actual data may vary depending on specific configuration and operating condition. The information herein is subject to change without notice. All the content has been checked conscientiously. Nevertheless, Hikrobot shall not be liable to damages resulting from errors, inconsistencies or omissions.