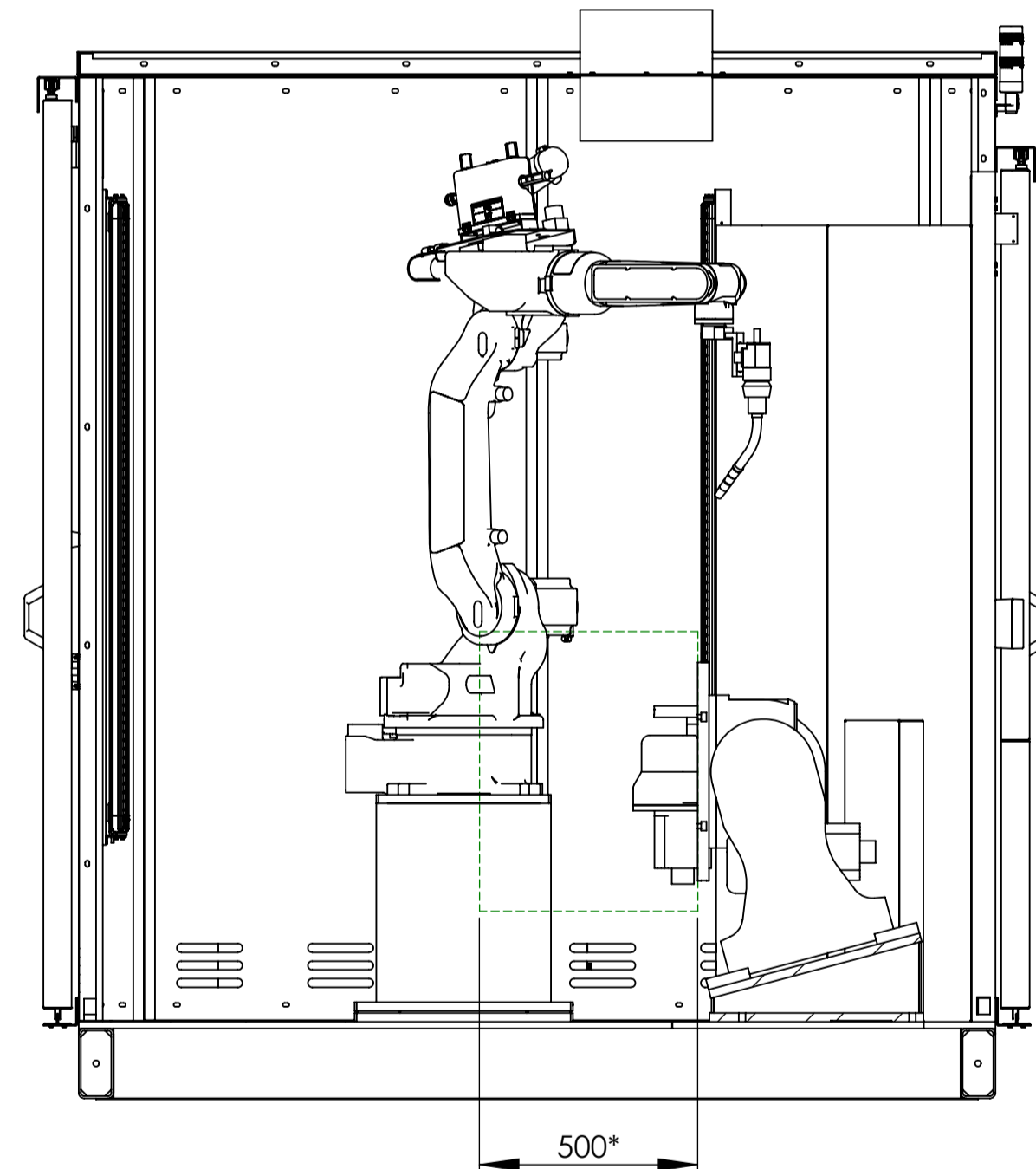
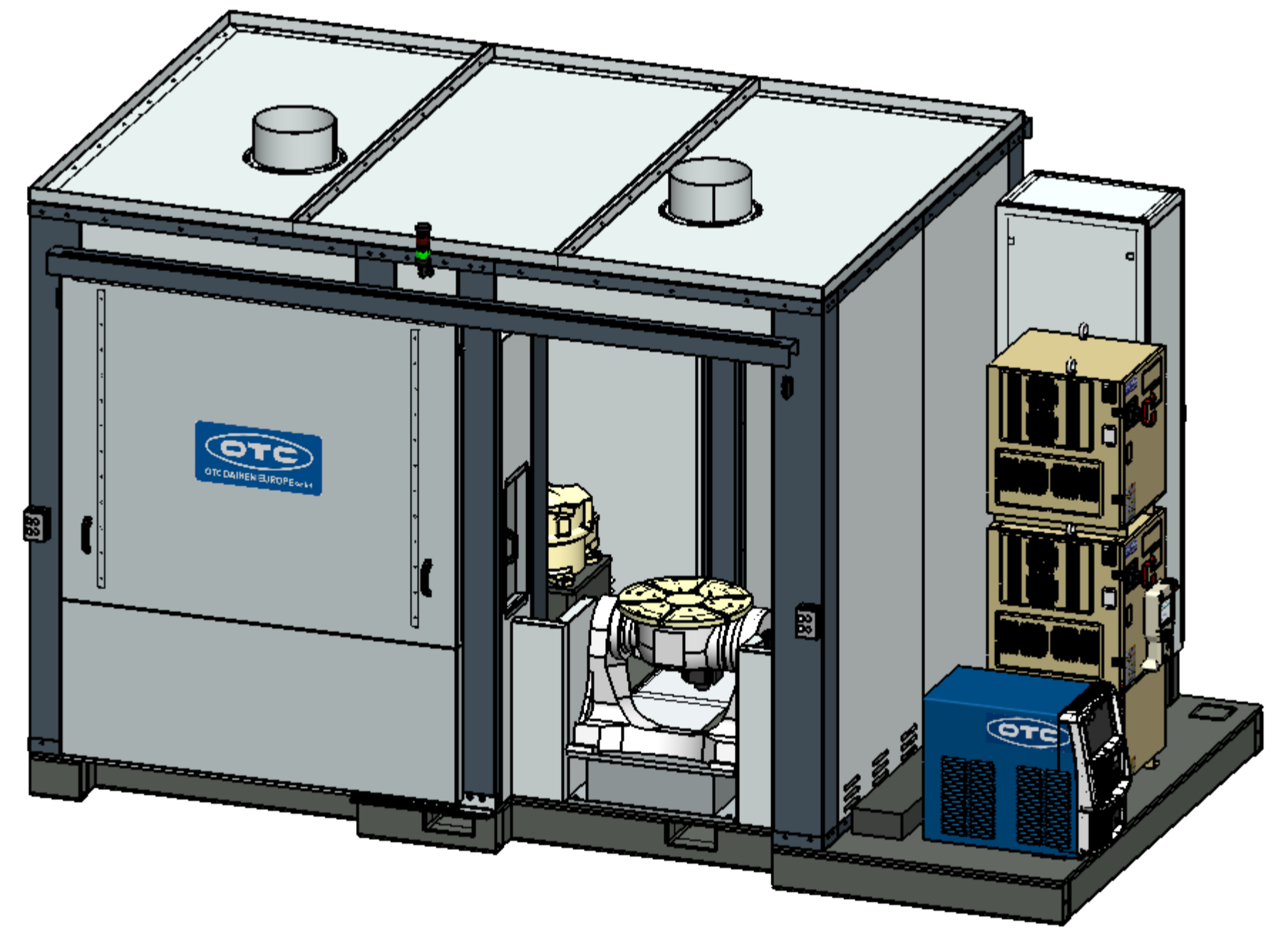


Tilt-Axis turned 90°



Option sealing



 OTC DAIHEN EUROPE GmbH OTC DAIHEN EUROPE GmbH Weldingmachines, Robotersystems Solution for Automation <small>Hallerstraße 675-677, D-41564 Mönchengladbach</small> <small>Telefon: +49 2161 89 77-0 Fax: +49 2161 89 77-41</small>	Drawn to: based to: Norm: Date: Checked: G.A.	(Tolerance) based to: Date:	Workpiece edge 0.3 Material, semifinished Product:	Scale: 1:15	Weight:	
	Drawn: Sagerl Checked: G.A.	Date: 10.08.2021	Title:	Drawing No.:	Rev.	A1
	OTC - Robot FD-V8 with positioner and weld equipment					
	Do not scale Drawing					