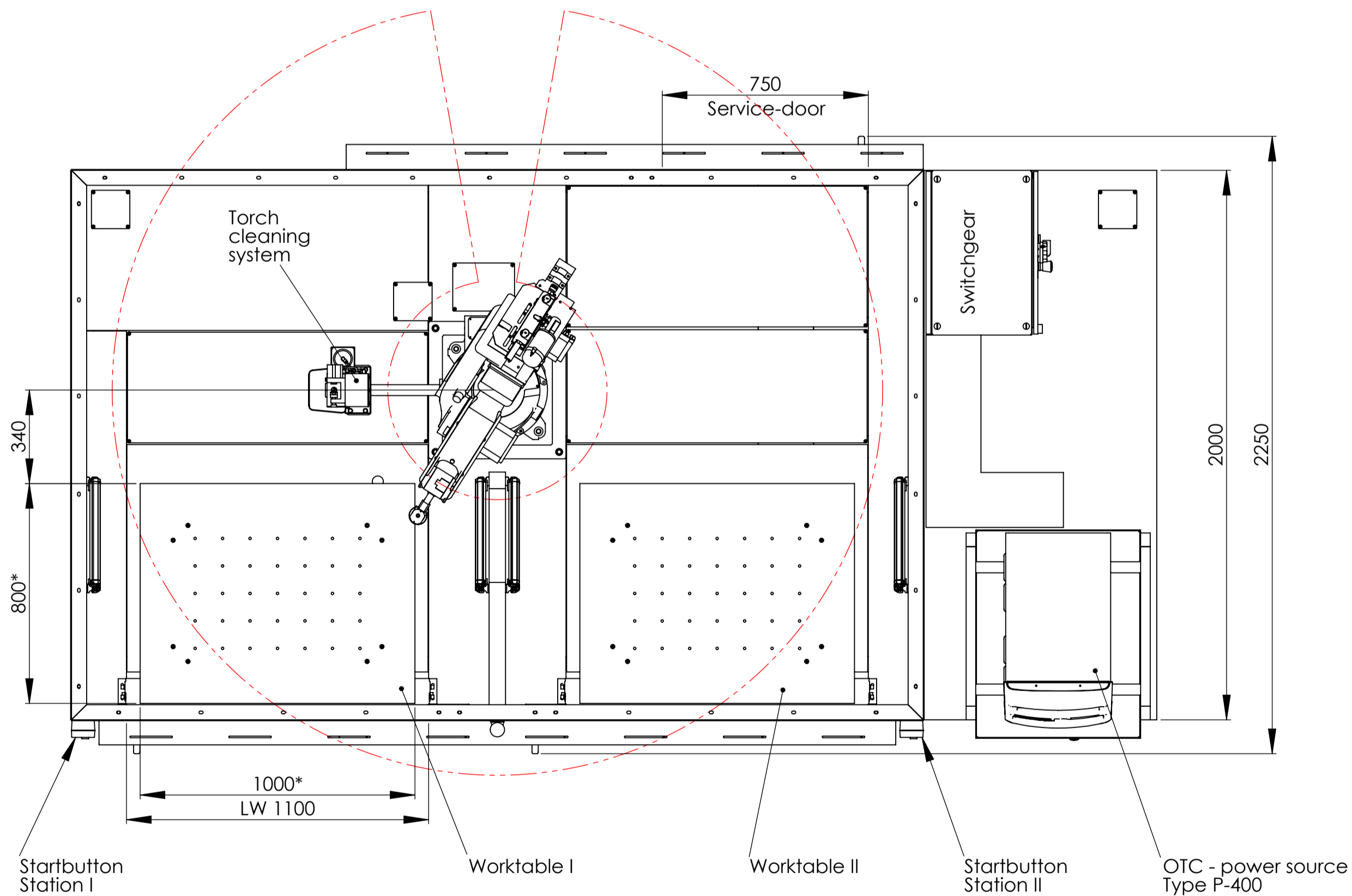
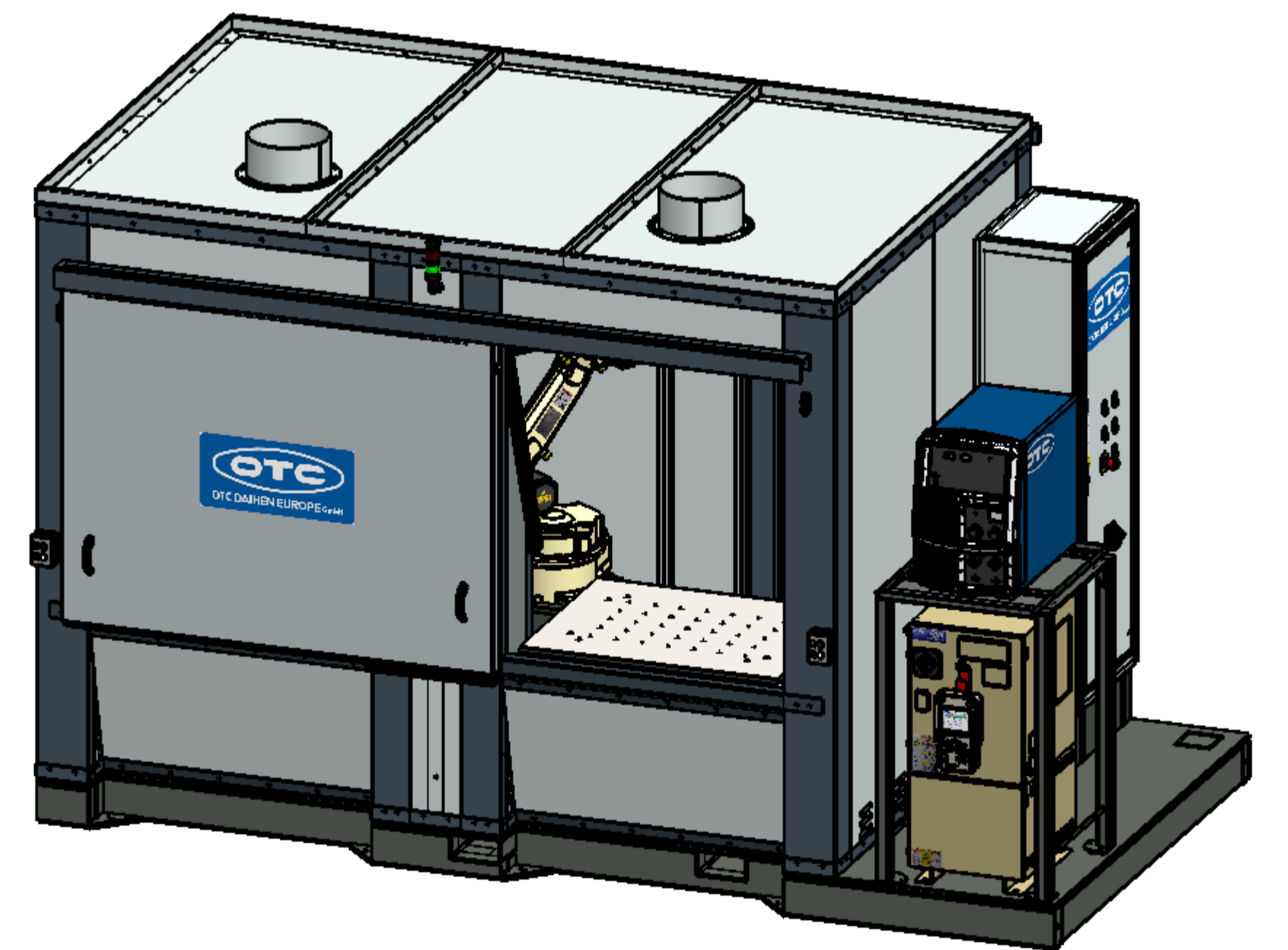


OPTION: Cube with sealing



### Special note

It is pointed out, that only the components and services described in the extent of the plant are part of the delivery. Preparation of energy connection as well as equal power supplies (voltage, compression, shielding gas, etc.) at the individual connection point will be set up, be set up and ensured by the customer according to the information of OTC DAIHEN EUROPE GmbH.

At factory-side, the foundation of the system (preferably concrete C50/C60 DIN 104-1, min. 30 cm, ) Steel reinforcement must be made up and fit laminar to the plant-layout. The depth of the foundation must be completed according to the dynamic load of the system. The reinforcement is to be connected to the ground with a grounding resistance of <<1Ω. In case this should not be possible, OTC DAIHEN EUROPE GmbH must be informed during the planning period, otherwise belated isolating - arrangements must be carried out in case of possible troubles ( these arrangements are with costs if you have not informed OTC DAIHEN EUROPE GmbH about it). The foundation is to be frost-resisting.

### Notes

- \* Theoretic possible maximum Jig / Workpiece- dimensions. Accurate accessibility has to be checked additionally.
  - \*\* Barrier height = Height of table + Jig
  - \*\*\* Dimension of lifting eye : 87mmx187mm
- Necessary preparations of customer:  
 - Electrical power supply 63A  
 - pneumatic supply 6bar

### Surface Coating

The colour of the system elements follows the OTC directive:

Robot	Original OTC	RAL 1014
Robot stand	Mouse grey	RAL 7005
Base frame	Mouse grey	RAL 7005
Work table	Mouse grey	RAL 7005
Housing	Blue grey	RAL 7031
	Light grey	RAL 7035
Switchgear	Light grey	RAL 7035

 <b>OTC DAIHEN EUROPE GmbH</b>	Drawn: Sogget Checked: G.A. Date: 09.08.2021	(Tolerance) based to DIN ISO 2768 Workpiece edge: 0.3 Scale: 1:15 Material, semifinished Product:	Weight:
	Title: OTC - Robot FD-V8 with welding equipment		
	Drawing No.: Cube 01		
	Comments:		