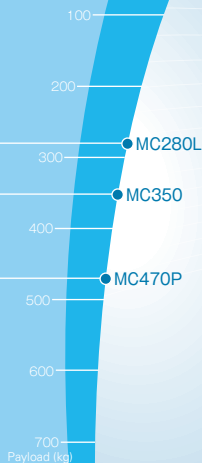


Robots for Handling Heavy Loads

MC350/MC280L/MC470P



Linkage-less construction is simple and compact

- Simple construction has no counterweights or parallel linkage
Compact form can be installed in small places

Expansive operating stroke and lifting capabilities

- Plenty of wrist torque (1.7 times our existing model) easily handles large work pieces
- Long arm type (MC280L) has maximum reach of 3,101 mm
- Super heavy lifting type (MC470P) can lift up to 470 kg (wrist must be directed downward)

High-speed motion

- Lower weight and greater rigidity make it the fastest robot in its class
- Reduce cycle times by up to 15% (compared to our existing model)

MC350/MC280L/MC470P

◆ Robot specifications

Item		Specifications			
Robot model		MC350-01	MC280L-01	MC470P-01	
Structure		Articulated construction			
No. of axes		6			
Drive system		AC servo system			
Max. working envelope	Arm	J1 Swivel	$\pm 3.14\text{rad} (\pm 180^\circ)$		
		J2 Horizontal	$-1.75 \sim +0.70\text{rad} (-100^\circ \sim +40^\circ)$		
		J3 Vertical	$-3.14 \sim +2.27\text{rad} (-180^\circ \sim +130^\circ)$	$-2.57 \sim +2.27\text{rad} (-147^\circ \sim +130^\circ)$	$-3.14 \sim +0.61\text{rad} (-180^\circ \sim +35^\circ)$
	Wrist	J4 Rotation2	$\pm 6.28\text{rad} (\pm 360^\circ)$		
		J5 Bend	$\pm 2.18\text{rad} (\pm 125^\circ)$		
		J6 Rotation1	$\pm 6.28\text{rad} (\pm 360^\circ)$		
Max. speed	Arm	J1 Swivel	1.83rad/s (105°/s)		
		J2 Horizontal	1.66rad/s (95°/s)	1.83rad/s (105°/s)	1.66rad/s (95°/s)
		J3 Vertical	1.66rad/s (95°/s)		
	Wrist	J4 Rotation2	1.92rad/s (110°/s)	2.09rad/s (120°/s)	1.92rad/s (110°/s)
		J5 Bend	1.92rad/s (110°/s)	2.09rad/s (120°/s)	1.92rad/s (110°/s)
		J6 Rotation1	3.14rad/s (180°/s)	3.49rad/s (200°/s)	3.14rad/s (180°/s)
Payload	Wrist	350kg	280kg	470kg	
	Forearm ¹	Max. 50kg	Max. 25kg	Max. 30kg	
Allowable static load torque	J4 Rotation2	2750N·m	1921N·m	2750N·m	
	J5 Bend	2750N·m	1921N·m	2750N·m	
	J6 Rotation1	1235N·m	988N·m	0N·m	
Max. allowable moment of inertia ²	J4 Rotation2	400kg·m ²			
	J5 Bend	400kg·m ²			
	J6 Rotation1	250kg·m ²			
Max. reach		2,771mm	3,101mm	2,771mm	
Position repeatability ³		$\pm 0.2\text{mm}$			
Ambient temperature		0 to 45°C ⁴			
Ambient humidity		20 to 85% RH (without condensation)			
Vibration		0.5 G or less			
Installation		Floor mount			
Weight		1620kg	1700kg	1620kg	

1[rad] = 180/π[°], 1[N·m] = 1/9.8[kgf·m]

*1: Load specification of number 1 arm varies according to wrist load conditions and installation position.

*2: Note that the allowable moment of inertia of wrist varies with the wrist load conditions.

*3: JIS B 8432 compliant.

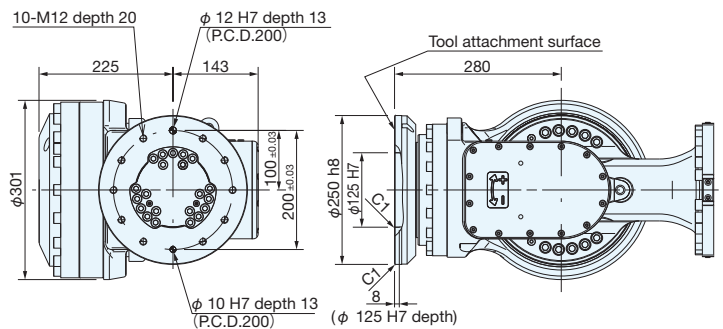
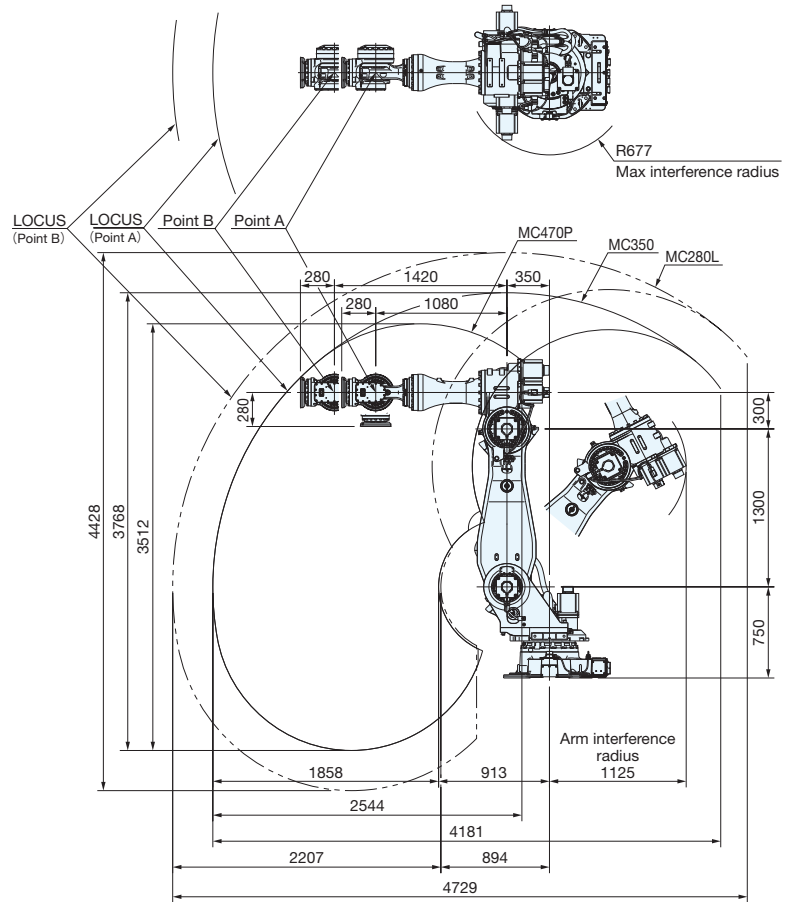
*4: Permitted height is not higher than 1,000m above sea level. If used in higher place, permitted temperature is affected by height.

*5: Software limits the downward vertical range of axis 5 to $\pm 5^\circ$.

Axis 4 can move $\pm 360^\circ$ and axis 5 can move $\pm 125^\circ$ only when the encoder correction screen or the software limit settings screen is open.

◆ Exterior dimensions and working envelope

MC350-01/MC280L-01/MC470P-01



● The specifications are subject to changes without notice.

● In case that an end user uses this product for military purpose or production of weapon, this product may be liable for the subject of export restriction stipulated in the Foreign Exchange and Foreign Trade Control Law. Please go through careful investigation and necessary formalities for export.

NACHI-FUJIKOSHI CORP.

Tokyo Head Office

Shiodome Sumitomo Bldg. 17F 1-9-2 Higashi-shinbashi,
Minato-ku, Tokyo 105-0021, JAPAN

Tel: +81-(0)3-5568-5245 Fax: +81-(0)3-5568-5236

Toyama Head Office

1-1-1 Fujikoshi-Honmachi, Toyama 930-8511, JAPAN

Tel: +81-(0)76-423-5111 Fax: +81-(0)76-493-5211

NACHI ROBOTIC SYSTEMS INC.

42775 West 9 Mile Road, Novi, Michigan, 48375, U.S.A.
Tel: +1-248-305-6545 Fax: +1-248-305-6542

URL: <http://www.nachirobotics.com/>
E-mail: marketing@nachirobotics.com

NACHI BRASIL LTDA. SAO PAULO BRANCH

Av. Paulista, 453, Primeiro Andar, Conj. 11, 12, 12 e 14,
Cerqueira Cesar, Sao Paulo-SP, CEP: 01311-000, BRASIL
Tel: +55-11-3284-9844 Fax: +55-11-3284-1751

NACHI EUROPE GmbH

Bischofstrasse 99, 47809, Krefeld, GERMANY
Tel: +49-(0)2151-65046-0 Fax: +49-(0)2151-65046-90
URL: <http://www.nachirobotics.eu/>

NACHI TECHNOLOGY (THAILAND) CO., LTD.

5/5 M, 2, Rojana Industrial Estate Nongbua,
Ban Khai, Rayong, 21120, THAILAND
Tel: +66-38-961-682 Fax: +66-38-961-683

PT.NACHI INDONESIA

Jl.H.R.Rasuna Said Kav.X-O Kuningan,
Jakarta 12950, INDONESIA
Tel: +62-021-527-2841 Fax: +62-021-527-3029

NACHI KG TECHNOLOGY INDIA PVT. GURGAON HEAD OFFICE

Unit No.207, Sewa Corporate Park, MG Road, Iffco
Chowk, Gurgaon-122001, INDIA
Tel: +91-124-450-2900 Fax: +91-124-450-2910

CATALOG NO.

R7309E-2

2013.11.V-ABE-ABE