

MVL-HF1224M-10MP
1/1.8" 12mm 10MP FA LENS

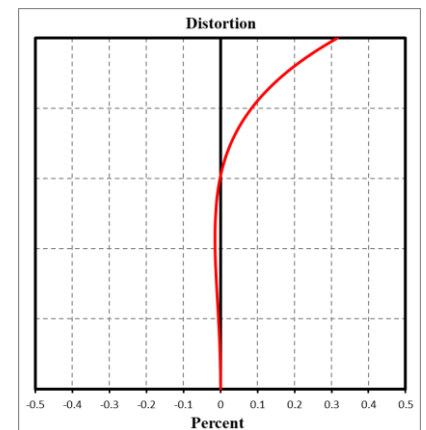
HF-P series FA Lens are optimized for machine vision light sources and sensor, with high resolution, excellent image quality, high transmittance and good stability. Featured with fixed focal length, manual aperture and compact size, it is suitable for machine vision industry applications and ideal for industrial cameras.



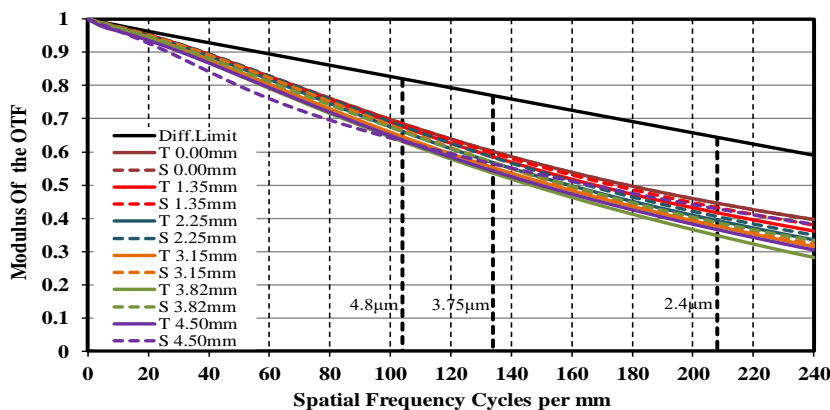
Key Features

- Ultra high resolution and consistency of image clarity
- Bigger aperture, lower distortion and higher relative illumination rate
- Achromatic optical system design, Better imaging performance with color camera
- Excellent vibration resistance performance, optical axis shifting within pixel level
- Good stability at high and low temperature
- Multilayer and broadband coating design, compatible with visible and near-infrared applications

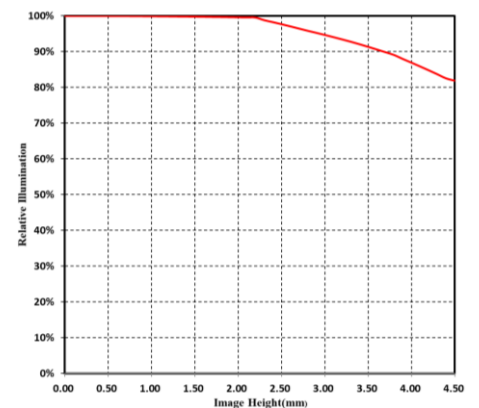
Distortion



MTF



Relative Illumination



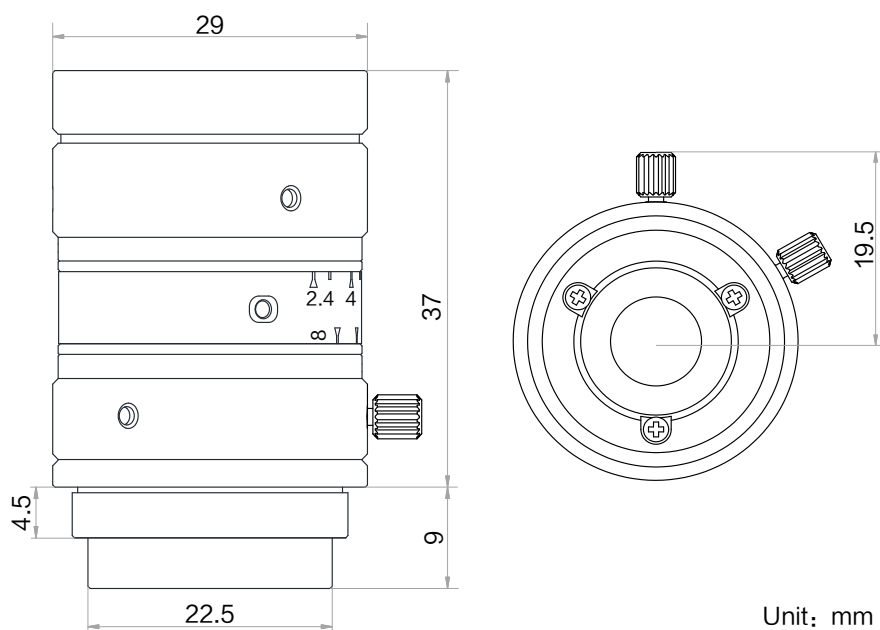
Note: The above curves are the simulate results based on F2.4, $\beta=-0.029$, WD=400 mm.



Specification

Parameter	Model	MVL-HF1224M-10MP
	Fixed focal length, Manual iris, 10MP, FA Lens	
Performance		
Focal Length	12 mm	
F-Number	F2.4~F16	
Image Size	Φ9 mm(1/1.8")	
Distortion	0.15%	
Minimum Object Distance	0.1 m	
Field of View	D (8.96mm): 40.2° H (7.38mm): 33.6° V (4.92mm): 22.9°	
Mechanical		
Iris Control	Manual	
Focus Control	Manual	
Filter Thread	M27 × 0.5	
Mount	C-Mount	
Flange Back Length	17.526 mm	
Dimension	Φ29 × 37 mm	
Weight	65.9 g	
Temperature	-10 ~ 50°C	
General		
Certification	RoHS2.0	

Dimension



Unit: mm

Field of View

Extension (mm)	Working Distance (mm)		Magnification	Field of View (mm)			
				1/1.8"		1/2"	
				H(7.38mm)	V(4.92mm)	H(6.22mm)	V(4.67mm)
10	near	0.55	-0.945	8.02	5.27	6.71	4.99
	far	1.67	-0.827	9.19	6.03	7.68	5.71
5	near	10.5	-0.528	14.31	9.42	11.98	8.94
	far	16	-0.417	18.13	11.93	15.17	11.31
2	near	31.3	-0.275	27.29	18.05	22.90	17.12
	far	58.8	-0.168	44.42	29.44	37.33	27.93
1	near	50.3	-0.191	39.08	25.92	32.85	24.59
	far	130	-0.084	87.95	58.51	74.05	55.52
0		100	-0.106	69.83	46.47	58.80	44.10
		150	-0.074	100.55	66.98	84.72	63.57
		200	-0.056	131.17	87.44	110.57	82.99
		250	-0.046	161.78	107.89	136.39	102.40
		300	-0.038	192.35	128.31	162.20	121.79
		350	-0.033	222.91	148.74	187.99	141.18
		400	-0.029	253.44	169.15	213.77	160.55
		450	-0.026	283.98	189.56	239.55	179.93
		500	-0.023	314.51	209.97	265.32	199.31
		550	-0.021	345.05	230.38	291.10	218.68
		600	-0.02	375.57	250.78	316.86	238.05
		650	-0.018	406.10	271.18	342.63	257.42
		700	-0.017	436.63	291.59	368.40	276.79
		800	-0.015	497.67	332.39	419.93	315.52
	900	-0.013	558.73	373.20	471.47	354.26	
	1000	-0.012	619.80	414.02	523.02	393.02	

HIKROBOT

Hangzhou Hikrobot Co. Ltd.
en.hikrobotics.com

© Hangzhou Hikrobot Co., Ltd. All Rights Reserved.

Hangzhou Hikrobot does not tolerate any infringement. Any organization or individual may not imitate or reproduce in whole or in part of the content. The data herein is based on Hikrobot's internal evaluation. Actual data may vary depending on specific configuration and operating condition. The information herein is subject to change without notice. All the content has been checked conscientiously. Nevertheless, Hikrobot shall not be liable to damages resulting from errors, inconsistencies or omissions.