

MV-IDS012M-16C-C

12 MP Logistics Code Reader



Introduction

With 24 lamps and integrated structure design, MV-IDS012M-16C-C logistics code reader is consisted of image acquisition component, SoC processor, c-mount lens, and adjustable light source. Relying on code recognition technology, the device can rapidly locate and recognize codes in waybills and output the corresponding information.

Available Model

MV-IDS012M-16C-C

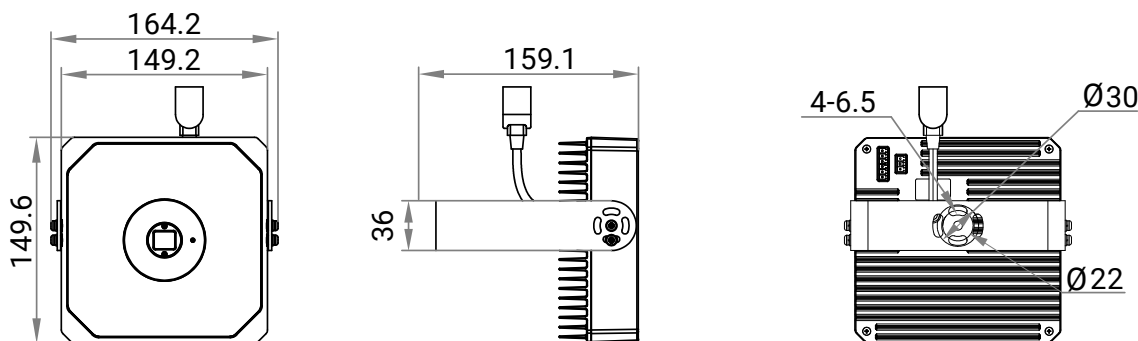
Applicable Industry

E-commerce, warehouse, meidicine, automobile, etc.

Key Feature

- Built-in code reading algorithm to read different types of one-dimensional and two-dimensional codes with good robustness.
- Integrates functions of image acquisition, data processing, and result output.
- Adopts integrated structure design for convenient installation.
- Centralized light with high luminescence efficiency.
- Long lifetime, stable performance, and strong environmental compatibility.

Dimension



Unit: mm

Specification

Model	MV-IDS012M-16C-C
Performance	
Symbologies	1-dimensional codes: Code 128, Code 39, Code 93, CodaBar, EAN 8, EAN 13, ITF 14, ITF 25, UPCA, and UPCE 2-dimensional codes: QR Code, Data Matrix
Max. frame rate	20 fps
Max. reading speed	60 codes/sec
Focal length	16 mm (0.6")
Best working distance	1870 mm (73.6")
Field of view (range)	870 mm × 635 mm @10 mil
Depth of field	700 mm (27.6")
Resolution	3968 × 3000
Exposure time	48 μs to 0.5 sec
Gain	0 dB to 40 dB
Aperture	F2.4 to F16
Center illuminance	11000 lux @1000 mm
Uniformity	0.56
Luminous flux	5200 lm
Light source wavelength	420 nm to 730 nm
Color temperature	6500 K
Mono/color	Mono
Pixel format	Mono 8
Electrical feature	
Data interface	Gigabit Ethernet
Digital I/O	6-pin green terminal provides power and I/O, including opto-isolated input × 1 (LineIn 0), opto-isolated output × 1 (LineOut 3), and configurable non-isolated input/output × 1 (Line In 2/LineOut 4). 3-pin green terminal provides RS-232 serial port.
Power supply	24 VDC
Max. power consumption	53 W @24 VDC
Mechanical	
Dimension (without lens)	164.2 mm × 149.6 mm × 159.1 mm (6.5" × 5.9" × 6.3")
Weight (without lens)	Approx. 990 g (2.2 lb.)
Temperature	Working temperature: 0 °C to 50 °C (32 °F to 122 °F) Storage temperature: -30 °C to 70 °C (-22 °F to 158 °F)
Humidity	20% to 80% RH, non-condensing
General	
Client software	IDMVS
Operating system	32/64-bit Windows XP/7/10
Certification	CE

Note:

- Do not directly touch cooling parts of the device to avoid scald.
- Do not debug the device for a long time in close distance to avoid scald.